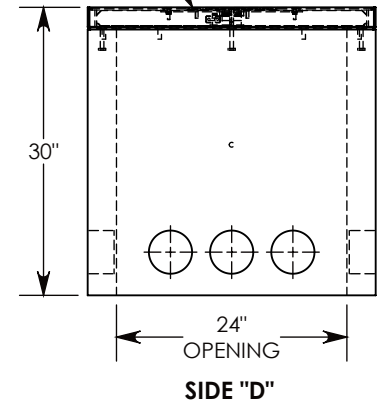
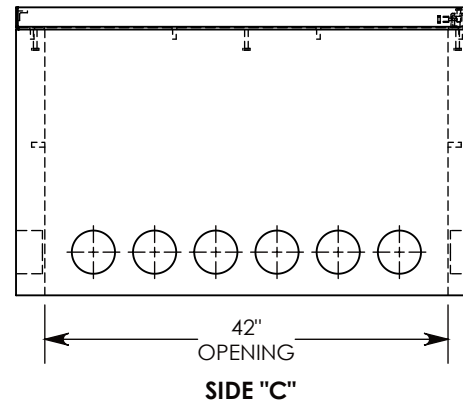
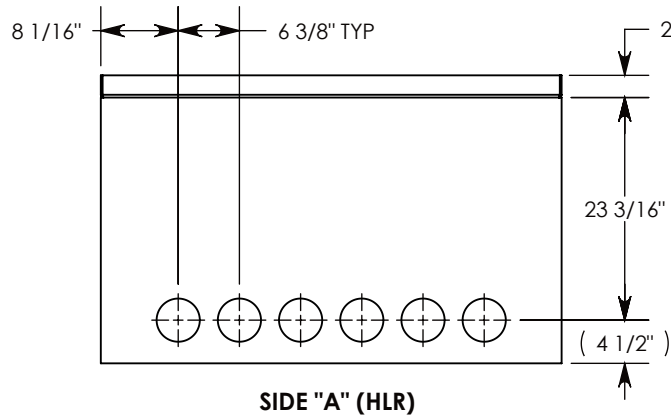
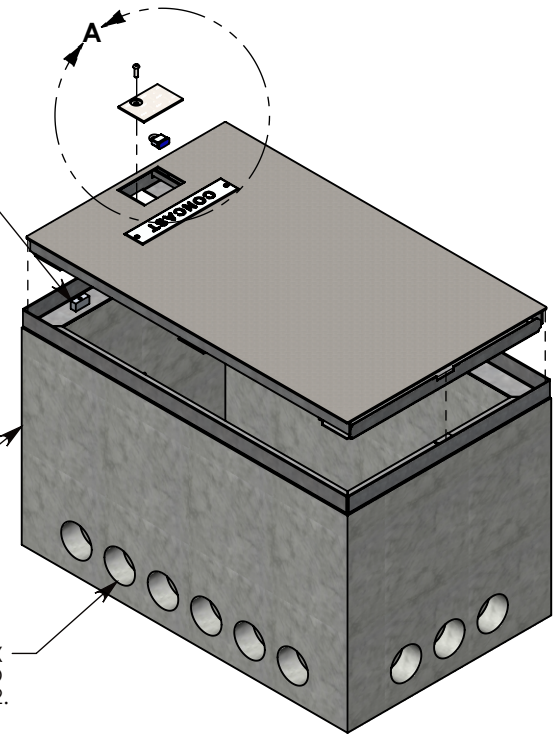


CONDUCT TERMINATIONS ARE CAST INTO BOX SIDEWALLS. THEY FIT UP TO 4" PVC PIPE. TO ACCESS THE HOLES, BREAK PLASTIC SEAL. SEE NOTE 2.



NOTE 1: CUSTOM KEYED FOR LOCKING THE ACCESS COVER. SURELOCK BOLT CAN ONLY BE REMOVED BY USING THE CONCAST SUPPLIED TOOL. P/N: 8000SL

NOTE 2: FOR PVC SIZES SMALLER THAN 4", USE CONCAST RC41 (REDUCING COUPLER).

NOTE 3: THE SURELOCK BOLT CAN BE REPLACED WITH A PENTA HEAD (PTA-38-1.5) AND ORDERED UNDER P/N: FHRPP-30-48-30

AASHTO H-20 RATED - 32,000 LB. SINGLE AXLE LOAD

| | |
|--------------------------------|--------------------------|
| DRAWN BY: TOM JANSEN | |
| CREATED DATE: 3/29/2010 | REVISION LEVEL: A |
| SAVED DATE: 6/24/2020 | SAVED BY: tjansen |
| WEIGHT: 1090 LBS. | MATERIAL: NOTED |

1010 NORTH STAR DRIVE
P.O. BOX 69
ZUMBROTA, MN 55992-0069

| | |
|--|--|
| DESCRIPTION: | |
| HEAVY TRAFFIC HANDHOLE | |
| DIMENSIONS ARE IN INCHES TOLERANCES: FRACTIONAL: ± 1/8" ANGULAR: ± 2° | CONTACT INFORMATION: EMAIL: INFO@CONCASTINC.COM PHONE: (507) 732-4095 FAX: (507) 732-4094 |
| PART NUMBER: | |
| FHRSLP-30-48-30 | |
| SHEET 1 OF 1 | |