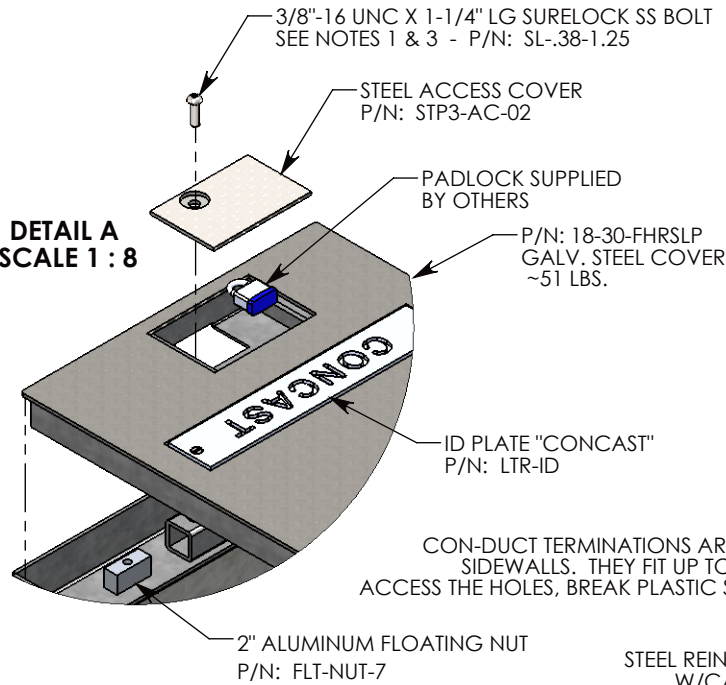
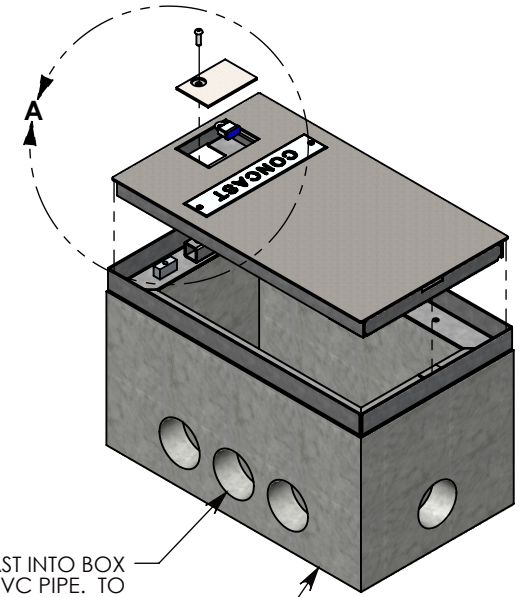


DETAIL A  
SCALE 1 : 8



CONDUCT TERMINATIONS ARE CAST INTO BOX SIDEWALLS. THEY FIT UP TO 4" PVC PIPE. TO ACCESS THE HOLES, BREAK PLASTIC SEAL. SEE NOTE 2.

STEEL REINFORCED CONCRETE BASE  
W/CAST-IN GALV. STEEL FRAME  
P/N: FHR-18-30-18-R



**NOTE 1:** CUSTOM KEYED FOR LOCKING THE ACCESS COVER. SURELOCK BOLT CAN ONLY BE REMOVED BY USING THE CONCAST SUPPLIED TOOL P/N: 8000SL

**NOTE 2:** FOR PVC SIZES SMALLER THAN 4", USE CONCAST RC41 (REDUCING COUPLER)

**NOTE 3:** TO REPLACE SURELOCK BOLT WITH PENTA HEAD BOLT (P/N: PTA.38-1.5) ORDER UNDER PART NUMBER FHRPP-18-30-18

AASHTO H-20 RATED - 32,000 LB. SINGLE AXLE LOAD

**DRAWN BY:** TOM JANSEN

**CREATED DATE:** 3/29/2010 **REVISION LEVEL:** A

**SAVED DATE:** 6/15/2020 **SAVED BY:** tjansen

**WEIGHT:** 369 LBS. **MATERIAL:** NOTED

**CONCAST**  
1010 NORTH STAR DRIVE  
P.O. BOX 69  
ZUMBROTA, MN 55992-0069

**DESCRIPTION:**  
**HEAVY TRAFFIC HANDHOLE**

DIMENSIONS ARE IN INCHES  
TOLERANCES:  
FRACTIONAL: ± 1/8"  
ANGULAR: ± 2°

CONTACT INFORMATION:  
EMAIL: INFO@CONCASTINC.COM  
PHONE: (507) 732-4095  
FAX: (507) 732-4094

SHEET 1 OF 1

**PART NUMBER:**  
**FHRSLP-18-30-18**