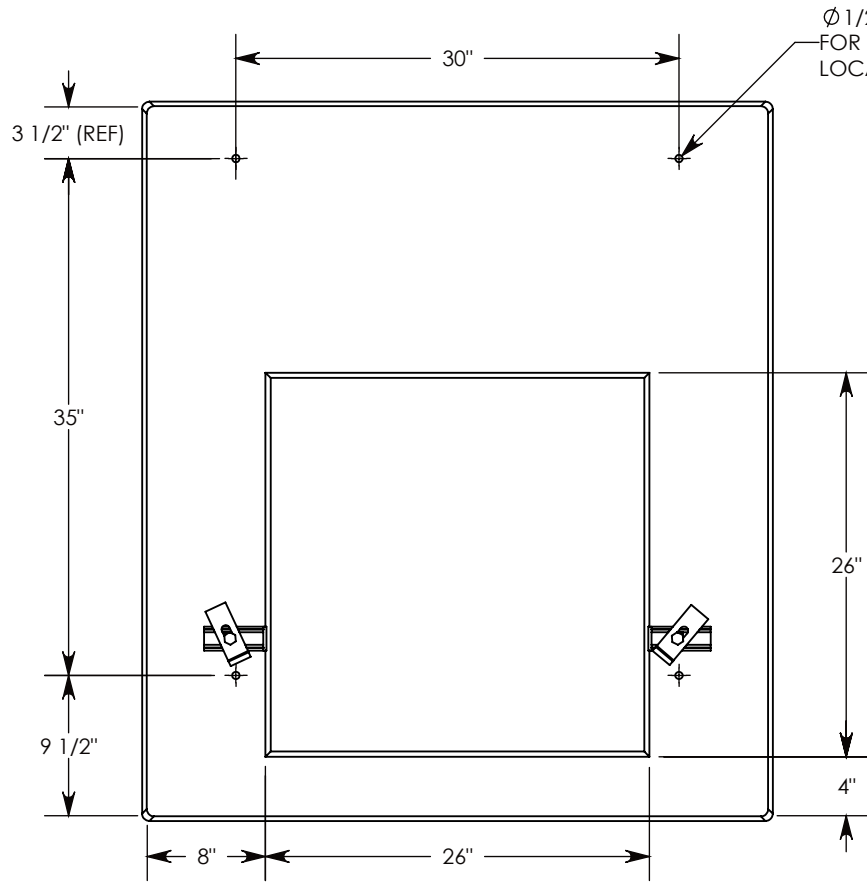
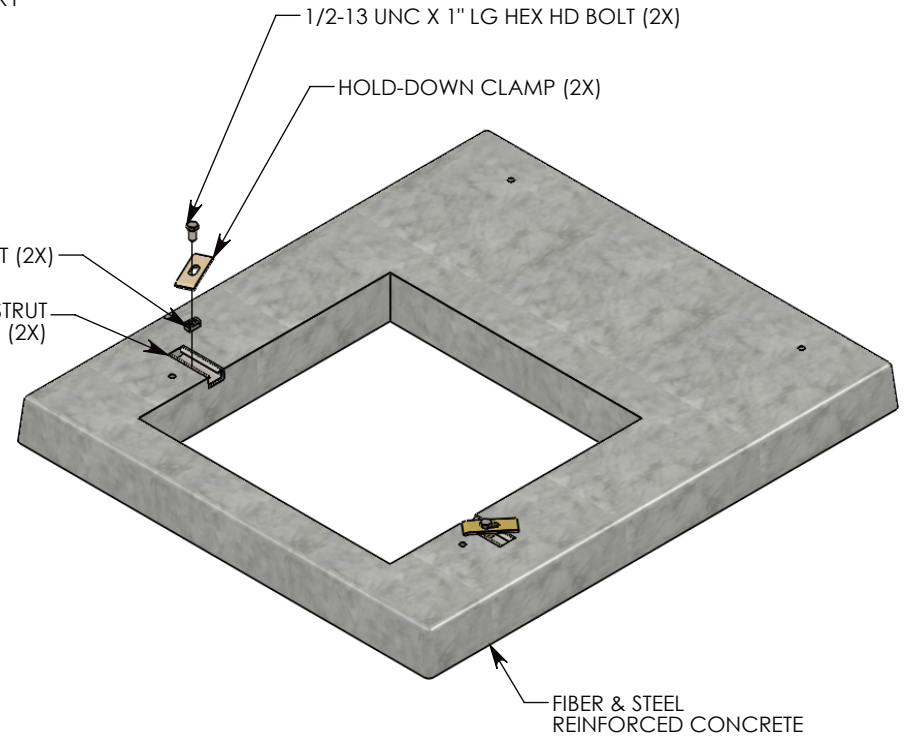


FIBERCRETE[®]



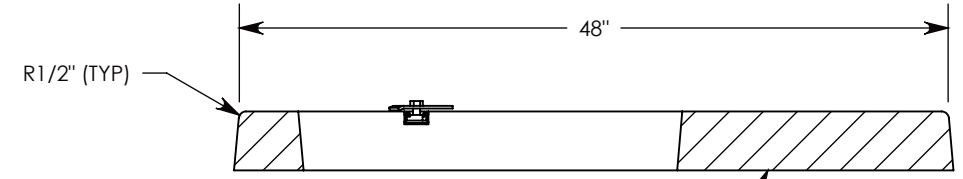
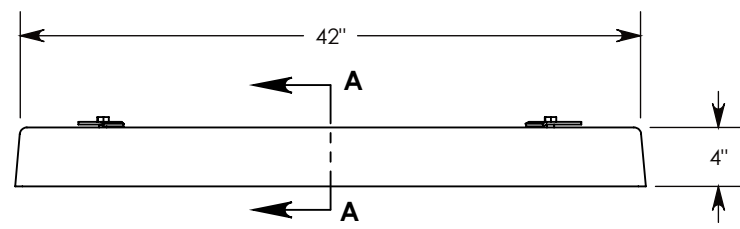
Ø 1/2"-13 UNC INSERTS FOR LIFTING (4X) LOCATIONS MAY VARY



SPRING NUT (2X)
4" LONG UNISTRUT CAST-IN (2X)

1/2-13 UNC X 1" LG HEX HD BOLT (2X)
HOLD-DOWN CLAMP (2X)

FIBER & STEEL REINFORCED CONCRETE



SOLID BOTTOM

SECTION A-A

7,500 PSI CONCRETE
ALL VERTICAL SURFACES HAVE A 5 TO 7 DEGREE DRAFT
IF SPECIFIC INSERTS OR MOUNTING HARDWARE IS REQUIRED, PLEASE SPECIFY WHEN ORDERING

DRAWN BY: ROBIN FLINT	
DATE: 7/7/2014	REVISION LEVEL: 0
WEIGHT: 455 LBS.	MATERIAL: CONCRETE



CONCAST
1010 NORTH STAR DRIVE
P.O. BOX 69
ZUMBROTA, MN 55992-0069

DESCRIPTION:		
CONCRETE FLAT PAD		
DIMENSIONS ARE IN INCHES	CONTACT INFORMATION:	
TOLERANCES:	EMAIL: INFO@CONCASTINC.COM	
FRACTIONAL: ± 1/8"	PHONE: (507) 732-4095	
ANGULAR: ± 2°	FAX: (507) 732-4094	
PART NUMBER:		
FPS-42-48-4-2626 (4)		

SHEET 1 OF 1