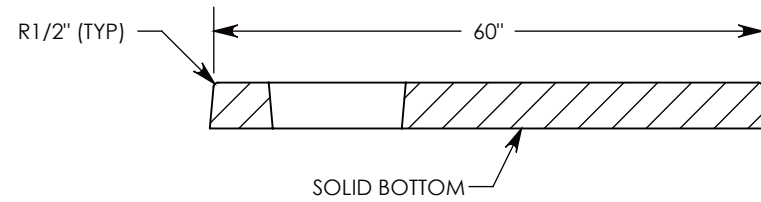
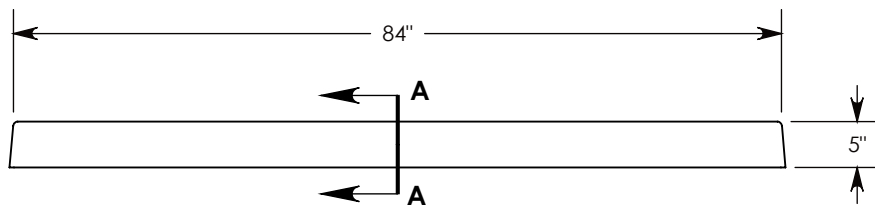
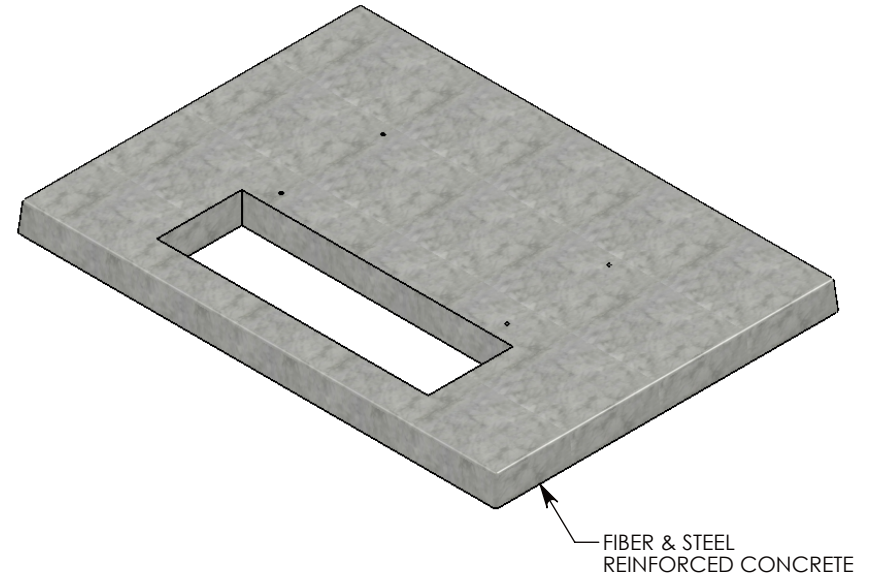
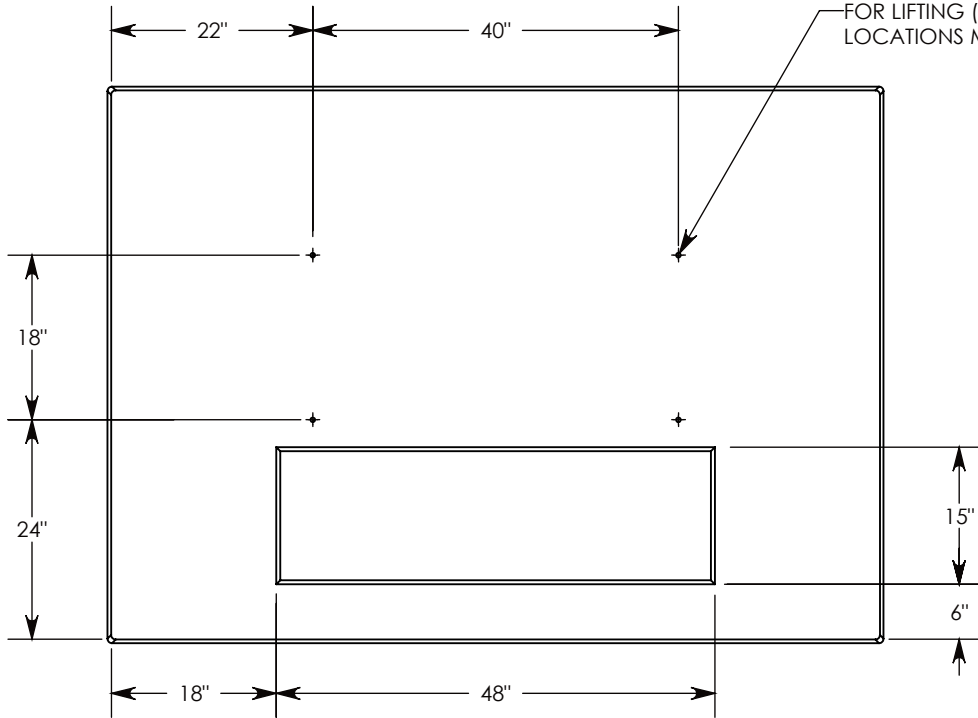


Ø 1/2"-13 UNC INSERTS
FOR LIFTING (4X)
LOCATIONS MAY VARY



SECTION A-A

7,500 PSI CONCRETE
ALL VERTICAL SURFACES HAVE A 5 TO 7 DEGREE DRAFT
IF SPECIFIC INSERTS OR MOUNTING HARDWARE IS REQUIRED, PLEASE SPECIFY WHEN ORDERING

DRAWN BY: ROBIN FLINT

DATE: 9/21/2012

REVISION LEVEL: 0

WEIGHT:

1805 LBS.

MATERIAL:

CONCRETE

CONCAST
1010 NORTH STAR DRIVE
P.O. BOX 69
ZUMBROTA, MN 55992-0069

DESCRIPTION:

CONCRETE FLAT PAD

DIMENSIONS ARE IN INCHES

TOLERANCES:
FRACTIONAL: ± 1/8"
ANGULAR: ± 2°

CONTACT INFORMATION:
EMAIL: INFO@CONCASTINC.COM
PHONE: (507) 732-4095
FAX: (507) 732-4094

SHEET 1 OF 1

PART NUMBER:

FPS-60-84-5-1548 (6)