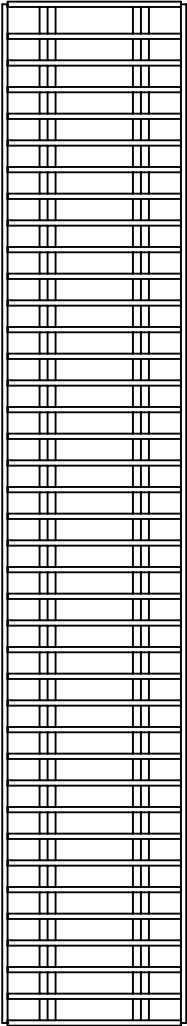
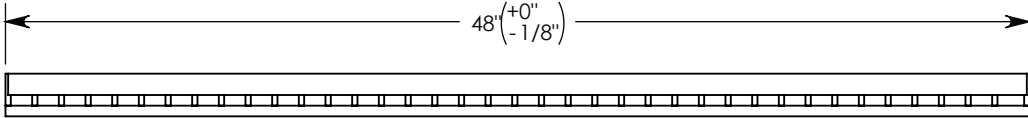
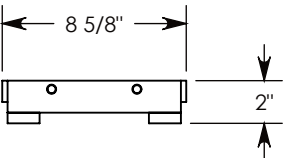
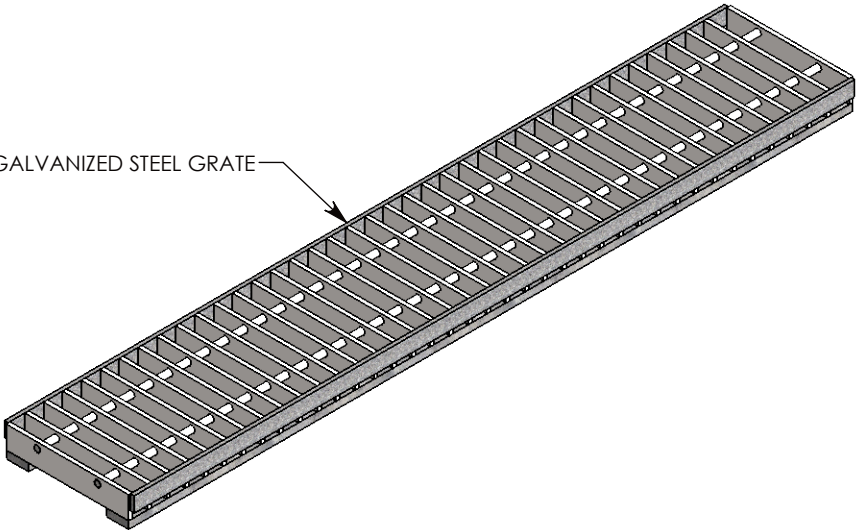


COVER ASSEMBLES ONTO 6" INSIDE WIDTH
HEAVY TRAFFIC H-20 RATED CONCAST CHANNEL



WELDED GALVANIZED STEEL GRATE



NOTE 1: FOR NON-STANDARD LENGTHS, THE PART NUMBER WILL CORRESPOND TO ITS MEASURED LENGTH. IE: HTCVO6 18"

AASHTO H-20 RATED – 32,000 LB. SINGLE AXLE LOAD

DRAWN BY: JESSE GUTTING	
CREATED DATE: 3/9/2022	REVISION LEVEL: 0
SAVED DATE: 3/9/2022	SAVED BY: jgutting
WEIGHT: 63 LBS.	MATERIAL: WELDED GALV. STEEL



1010 NORTH STAR DRIVE
P.O. BOX 69
ZUMBROTA, MN 55992-0069

DESCRIPTION: VENTILATED STEEL COVER		SHEET 1 OF 1
DIMENSIONS ARE IN INCHES TOLERANCES: FRACTIONAL: ± 1/8" ANGULAR: ± 2°	CONTACT INFORMATION: EMAIL: INFO@CONCASTINC.COM PHONE: (507) 732-4095 FAX: (507) 732-4094	
PART NUMBER: HTCV06		