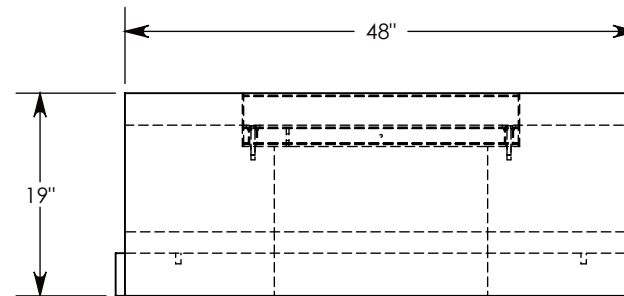
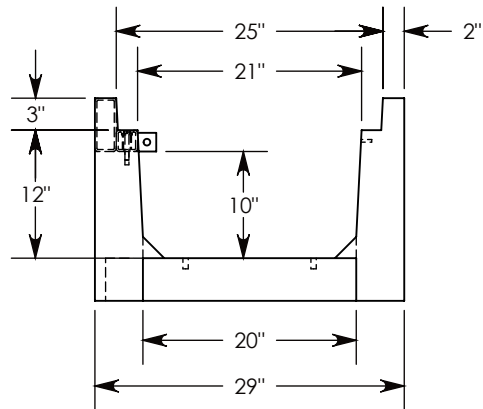
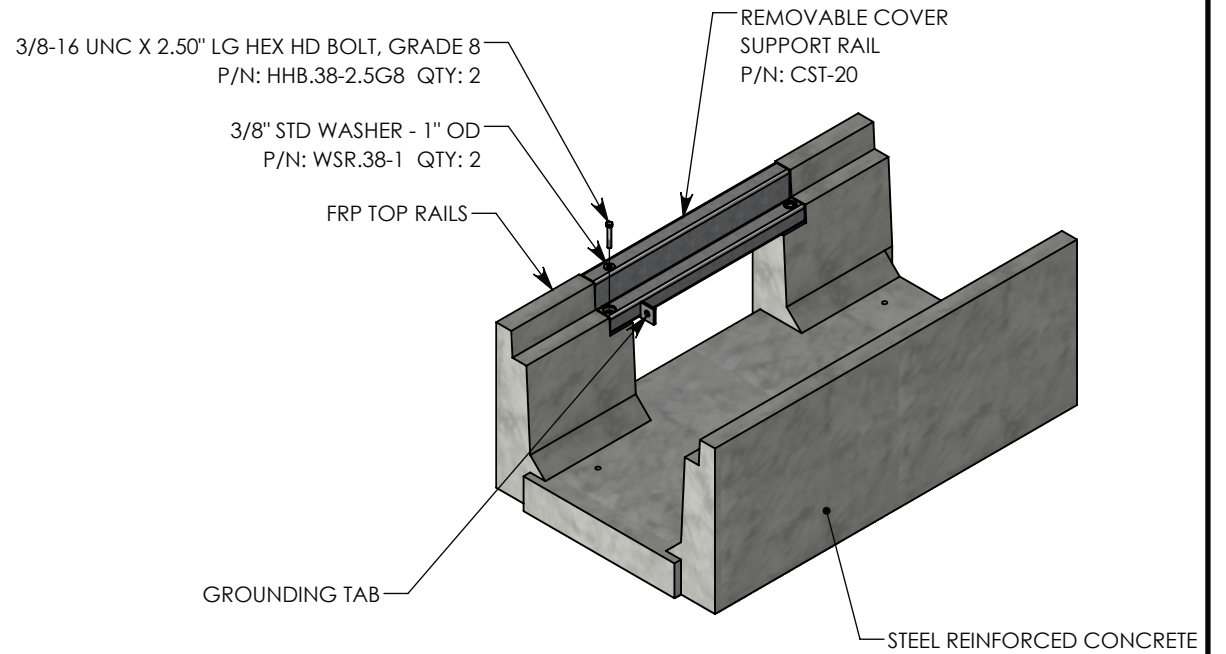


CST HIDDEN IN VIEW



AASHTO H-20 RATED – 32,000 LB. SINGLE AXLE LOAD

| | |
|-----------------------------------|----------------------------------|
| DRAWN BY: ROSS LAGER | |
| DATE: 5/31/2018 | REVISION LEVEL: 0 |
| WEIGHT: 841 LBS. | MATERIAL: NOTED |

CONCAST
 1010 NORTH STAR DRIVE
 P.O. BOX 69
 ZUMBROTA, MN 55992-0069

| | | |
|--|---|--------------|
| DESCRIPTION: HEAVY TRAFFIC UNIVERSAL CHANNEL | | |
| DIMENSIONS ARE IN INCHES TOLERANCES: FRACTIONAL: $\pm 1/8''$ ANGULAR: $\pm 2^\circ$ | CONTACT INFORMATION: EMAIL: INFO@CONCASTINC.COM PHONE: (507) 732-4095 FAX: (507) 732-4094 | SHEET 1 OF 1 |
| PART NUMBER: HTFU2012 (0X20) | | |