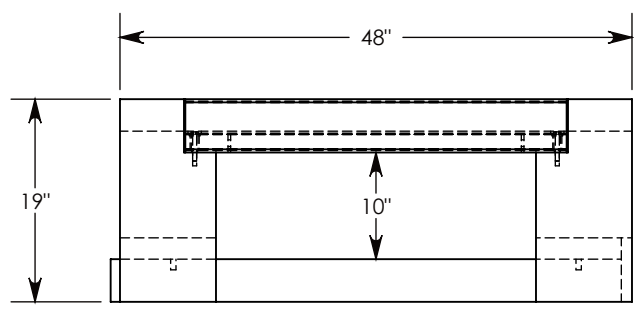
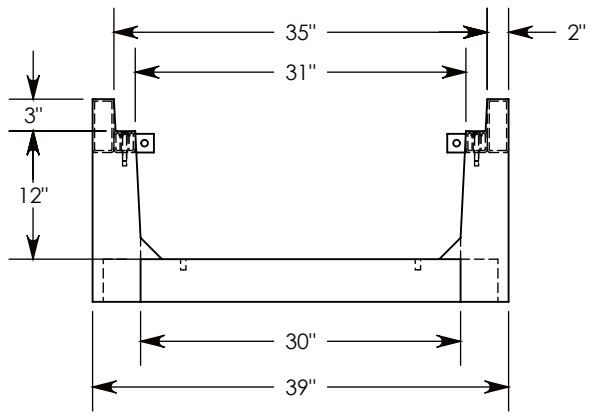


**CST HIDDEN IN VIEW**  
 $\phi 3/8$ "-16 UNC  
 THREADED INSERT (4X)



AASHTO H-20 RATED - 32,000 LB. SINGLE AXLE LOAD

<b>DRAWN BY: ROSS LAGER</b>	
<b>DATE: 5/31/2018</b>	<b>REVISION LEVEL: 0</b>
<b>WEIGHT: 830 LBS.</b>	<b>MATERIAL: NOTED</b>

1010 NORTH STAR DRIVE  
 P.O. BOX 69  
 ZUMBROTA, MN 55992-0069

<b>DESCRIPTION:</b>		SHEET 1 OF 1
<b>HEAVY TRAFFIC UNIVERSAL CHANNEL</b>		
DIMENSIONS ARE IN INCHES TOLERANCES: FRACTIONAL: $\pm 1/8$ " ANGULAR: $\pm 2^\circ$	CONTACT INFORMATION: EMAIL: INFO@CONCASTINC.COM PHONE: (507) 732-4095 FAX: (507) 732-4094	
<b>PART NUMBER:</b>		
<b>HTFU3012 (30X30)</b>		