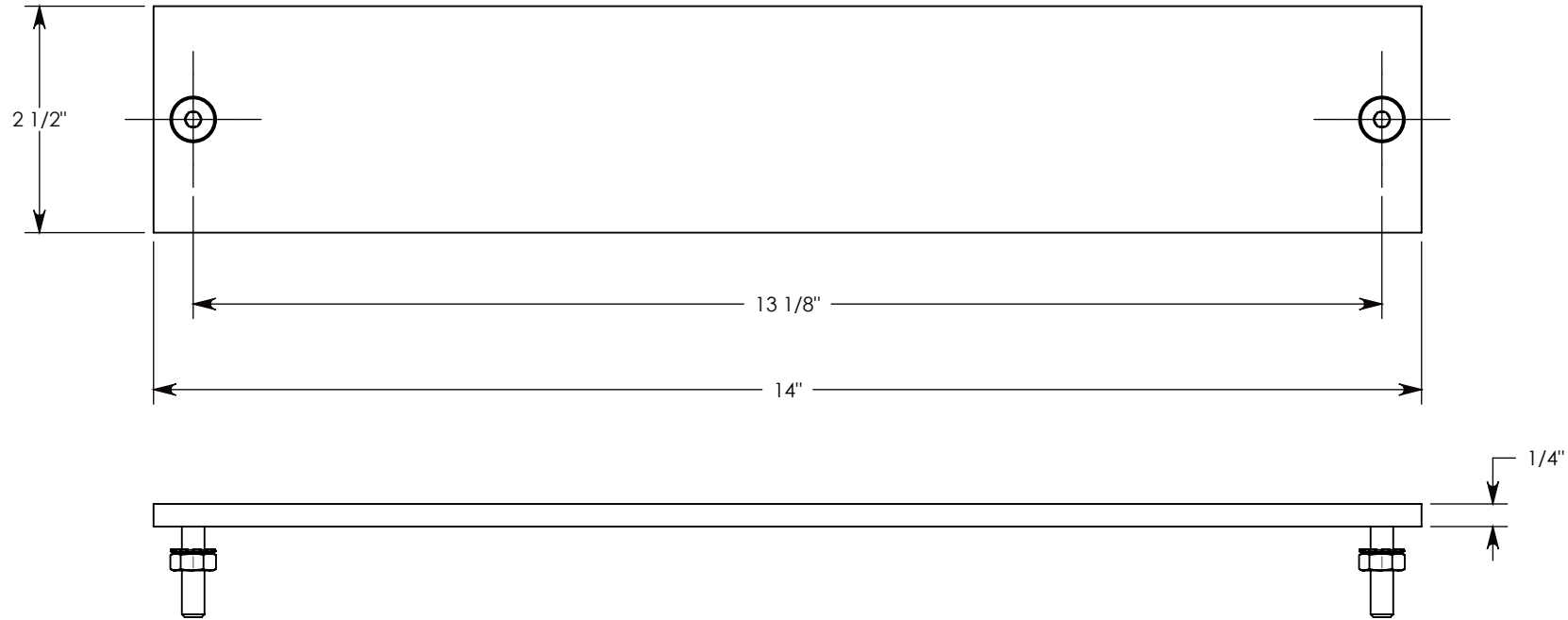
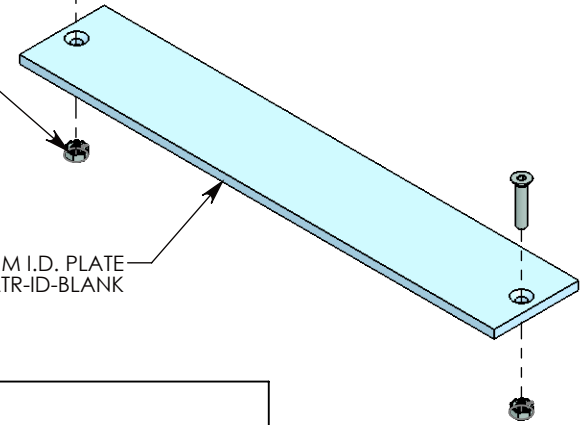


1/4-20 UNC X 1" LG ALLEN FLATHEAD BOLT
P/N: FH.25-1 (2X)

1/4-20 UNC LOCK NUT
P/N: LK-NUT-.25 (2X)

STD ALUM I.D. PLATE
P/N: LTR-ID-BLANK



DRAWN BY: **JESSE GUTTING**

CREATED DATE: **5/25/2022** REVISION LEVEL: **0**

SAVED DATE: **5/25/2022** SAVED BY: **jgutting**

WEIGHT: **0.9 LBS.** MATERIAL: **NOTED**

CONCAST
1010 NORTH STAR DRIVE
P.O. BOX 69
ZUMBROTA, MN 55992-0069

DESCRIPTION:

STD ALUM LETTER ID PLATE

DIMENSIONS ARE IN INCHES
TOLERANCES:
FRACTIONAL: $\pm 1/8"$
ANGULAR: $\pm 2^\circ$

CONTACT INFORMATION:
EMAIL: INFO@CONCASTINC.COM
PHONE: (507) 732-4095
FAX: (507) 732-4094

SHEET 1 OF 1

PART NUMBER:

LTR-ID-BLANK