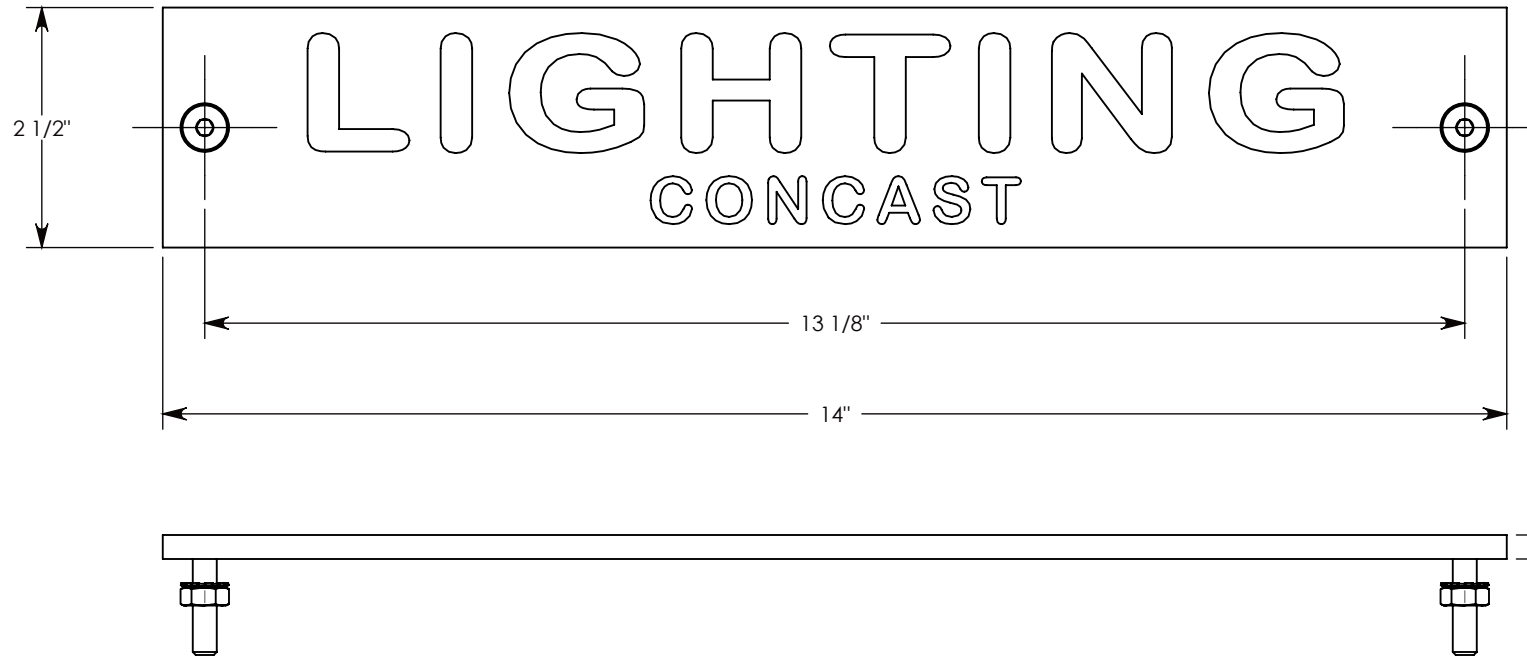
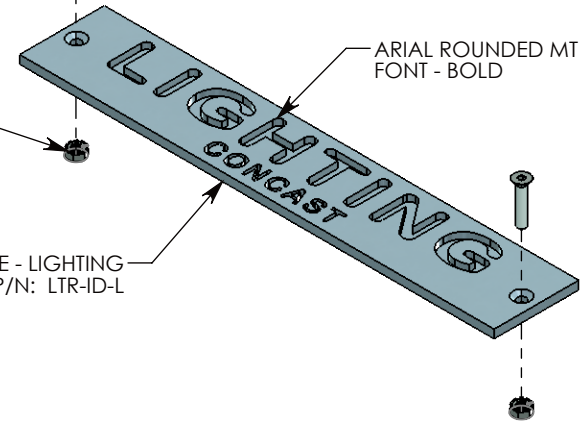


1/4-20 UNC X 1" LG ALLEN FLATHEAD BOLT
P/N: FH.25-1 (2X)

1/4-20 UNC LOCK NUT
P/N: LK-NUT-.25 (2X)

ALUMINUM I.D. PLATE - LIGHTING
P/N: LTR-ID-L

ARIAL ROUNDED MT
FONT - BOLD



DRAWN BY: **ROBIN FLINT**

CREATED DATE: **2/21/2013** REVISION LEVEL: **A**

SAVED DATE: **12/3/2021** SAVED BY: **jgutting**

WEIGHT: **0.8 LBS.** MATERIAL: **NOTED**

CONCAST
1010 NORTH STAR DRIVE
P.O. BOX 69
ZUMBROTA, MN 55992-0069

DESCRIPTION:

ALUM LETTER ID PLATE "LIGHTING"

DIMENSIONS ARE IN INCHES
TOLERANCES:
FRACTIONAL: $\pm 1/8"$
ANGULAR: $\pm 2^\circ$

CONTACT INFORMATION:
EMAIL: INFO@CONCASTINC.COM
PHONE: (507) 732-4095
FAX: (507) 732-4094

SHEET 1 OF 1

PART NUMBER:

LTR-ID-L