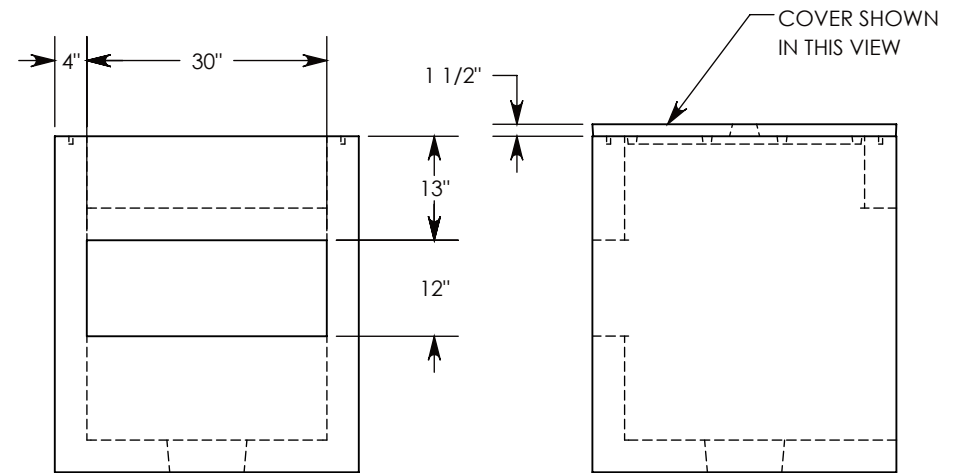
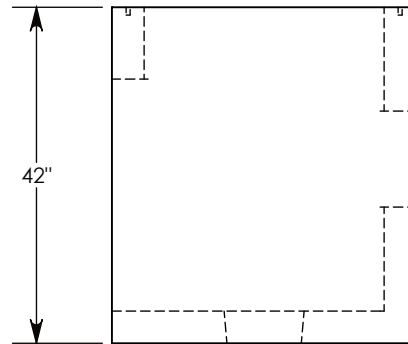
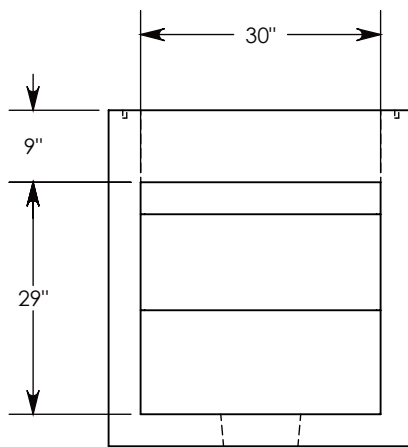
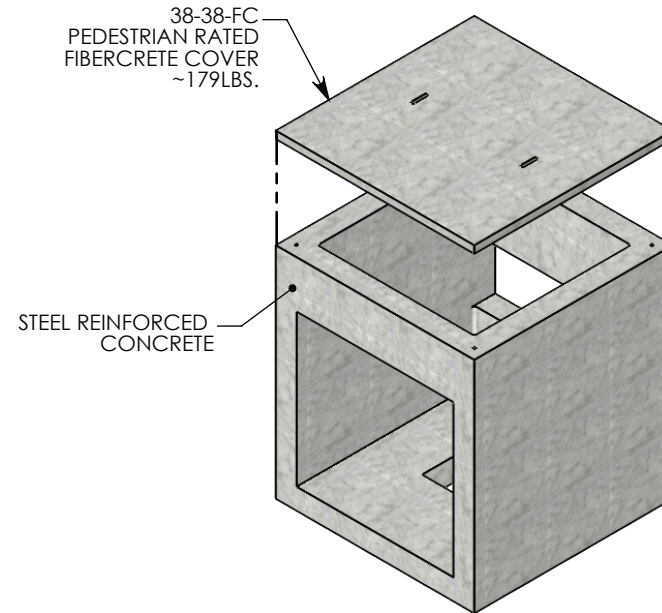
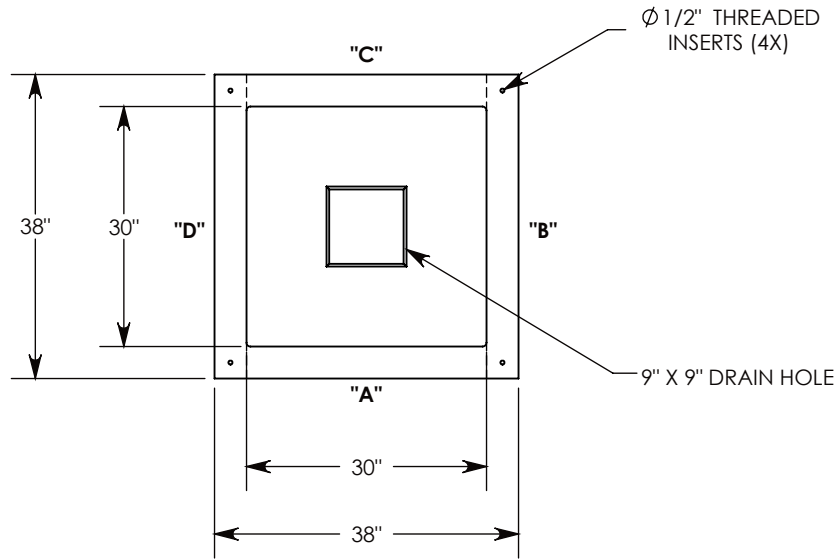


FIBERCRETE[®]



PEDESTRIAN RATED - 200 LB. PER SQ. FOOT.

DRAWN BY: JESSE GUTTING

DATE: 11/15/2016

REVISION LEVEL: 0

WEIGHT:

1912 LBS.

MATERIAL:

CONCRETE



DESCRIPTION:

FIBERCRETE BOX PAD

DIMENSIONS ARE IN INCHES
 TOLERANCES:
 FRACTIONAL: ± 1/8"
 ANGULAR: ± 2°

CONTACT INFORMATION:
 EMAIL: INFO@CONCASTINC.COM
 PHONE: (507) 732-4095
 FAX: (507) 732-4094

SHEET 1 OF 1

PART NUMBER:

PB-38-38-42-S15