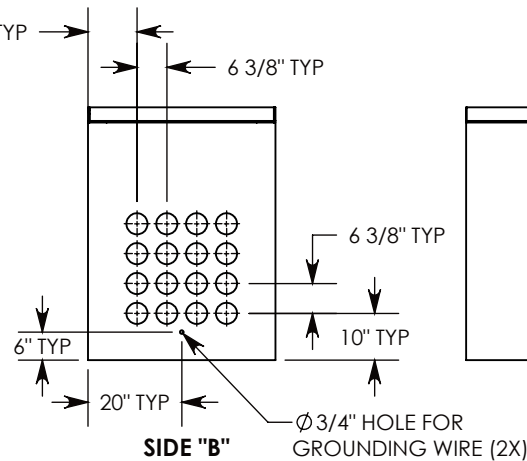
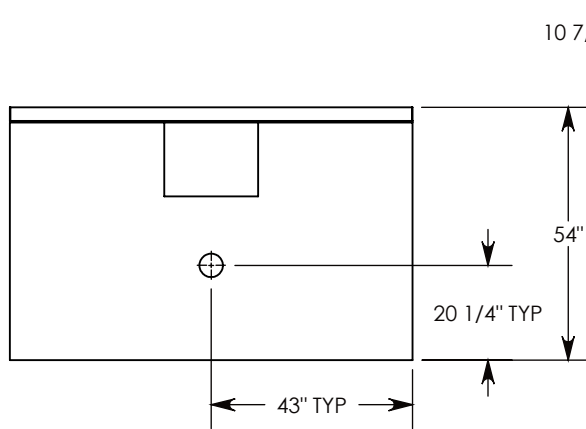


GALVANIZED STEEL FRAME
P/N: 40-86-FRM
~119 LBS

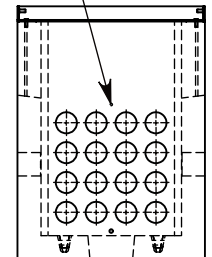
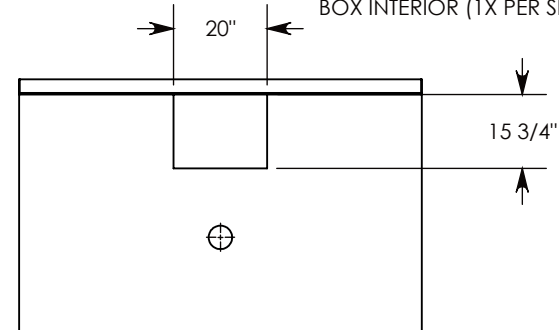
THIS KNOCKWALL IS BROKEN AWAY

CON-DUCT TERMINATIONS ARE CAST INTO BOX SIDEWALLS. 1 PER SIDE (2X) THEY FIT UP TO 5" PVC PIPE. TO ACCESS THE HOLES, BREAK THE PLASTIC SEAL.

CON-DUCT TERMINATIONS ARE CAST INTO BOX SIDEWALLS. 16 PER SIDE (2X) THEY FIT UP TO 4" PVC PIPE. TO ACCESS THE HOLES, BREAK THE PLASTIC SEAL.



Ø 1/2"-13 UNC INSERT (4X) FOR PULLING EYES. LOCATED ON BOX INTERIOR (1X PER SIDE)



DRAWN BY: MALACHI MLINAR

CREATED DATE: 11/10/2021 **REVISION LEVEL:** 0

SAVED DATE: 11/10/2021 **SAVED BY:** mmlinar

WEIGHT: 5195 LBS. **MATERIAL:** NOTED


1010 NORTH STAR DRIVE
P.O. BOX 69
ZUMBROTA, MN 55992-0069

DESCRIPTION:
CONCRETE PULL BOX

DIMENSIONS ARE IN INCHES
TOLERANCES:
FRACTIONAL: ± 1/8"
ANGULAR: ± 2°

CONTACT INFORMATION:
EMAIL: INFO@CONCASTINC.COM
PHONE: (507) 732-4095
FAX: (507) 732-4094

SHEET 1 OF 1

PART NUMBER:
PB-40-86-54-S84