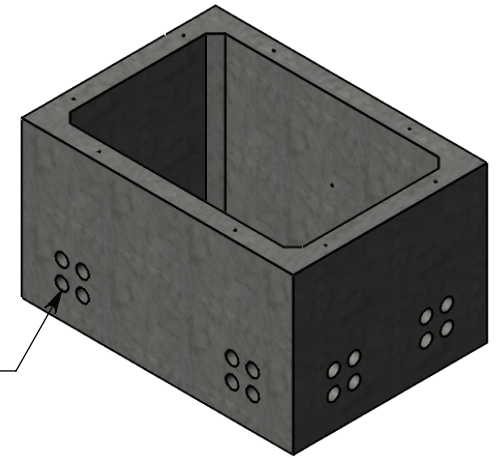
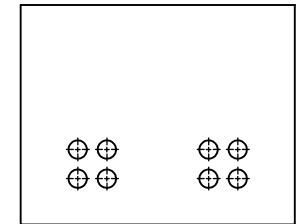
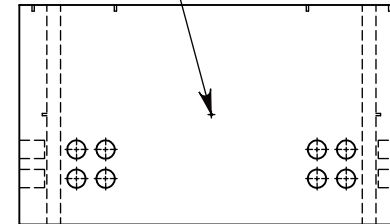
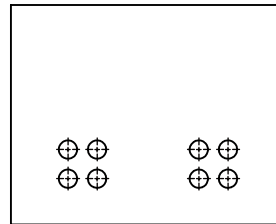
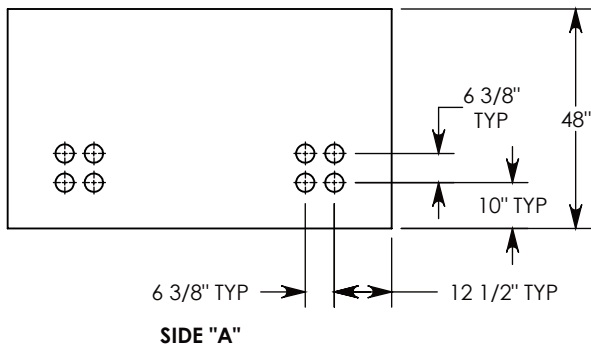


CON-DUCT TERMINATORS ARE CAST INTO BOX SIDE WALLS. 8 PER SIDE (4X) THEY FIT UP TO 4" PVC PIPE. TO ACCESS THE HOLES, BREAK THE PLASTIC SEAL.



Ø 1/2"-13 UNC INSERT (4X) FOR PULLING EYES. LOCATED ON BOX INTERIOR (1X PER SIDE)



DRAWN BY: MALACHI MLINAR

CREATED DATE: 1/30/2020 REVISION LEVEL: 0

SAVED DATE: 1/30/2020 SAVED BY: mmlinar

WEIGHT: 6116 LBS. MATERIAL: CONCRETE

CONCAST
1010 NORTH STAR DRIVE
P.O. BOX 69
ZUMBROTA, MN 55992-0069

DESCRIPTION:
CONCRETE PULL BOX

DIMENSIONS ARE IN INCHES
TOLERANCES:
FRACTIONAL: ± 1/8"
ANGULAR: ± 2°

CONTACT INFORMATION:
EMAIL: INFO@CONCASTINC.COM
PHONE: (507) 732-4095
FAX: (507) 732-4094

SHEET 1 OF 1

PART NUMBER:
PB-60-84-48-S55