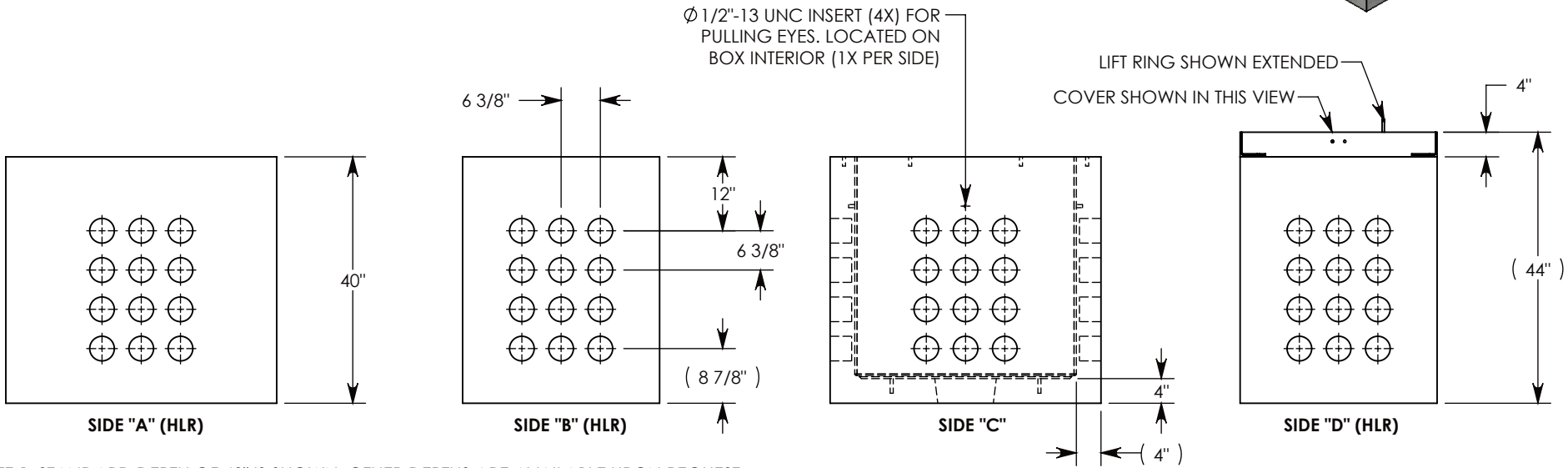


CON-DUCT TERMINATIONS ARE CAST INTO BOX SIDEWALLS. SETS OF 12 ON EACH SIDE. THEY FIT UP TO 4\"/>



**NOTE 1:** STANDARD DEPTH OF 40\"/>

**NOTE 2:** FOR PVC SIZES SMALLER THAN 4\"/>

**NOTE 3:** FOR ADDED SECURITY, PENTA HEAD (P/N: PTA.38-2.5) OR SURELOCK BOLTS (P/N: SL.38-2.5) CAN BE ADDED

AASHTO H-10 RATED – 16,000 LB. SINGLE AXLE LOAD

DRAWN BY: <b>JESSE GUTTING</b>	
CREATED DATE: <b>4/20/2020</b>	REVISION LEVEL: <b>0</b>
SAVED DATE: <b>4/22/2020</b>	SAVED BY: <b>jgutting</b>
WEIGHT: <b>1984 LBS.</b>	MATERIAL: <b>NOTED</b>



1010 NORTH STAR DRIVE  
P.O. BOX 69  
ZUMBROTA, MN 55992-0069

DESCRIPTION: <b>PULL BOX W/ HINGED ALUMINUM COVER</b>		
DIMENSIONS ARE IN INCHES TOLERANCES: FRACTIONAL: ± 1/8" ANGULAR: ± 2°	CONTACT INFORMATION: EMAIL: <a href="mailto:INFO@CONCASTINC.COM">INFO@CONCASTINC.COM</a> PHONE: (507) 732-4095 FAX: (507) 732-4094	SHEET 1 OF 1
PART NUMBER: <b>PB12-32-44-40-HALT</b>		