

3/8"-16 UNC X 2-1/2" LG SURELOCK SS BOLT  
P/N: SL.38-2.5

ACCESS COVER PLATE  
P/N: AC-VC2

H-20 HEAVY TRAFFIC RATED  
GALVANIZED STEEL COVER  
~214 LBS  
P/N: 38-44-RSGSLP

1/2"-13 UNC X 1.5" LG HEX HD BOLT (4X)  
P/N: HHB.5-1.5

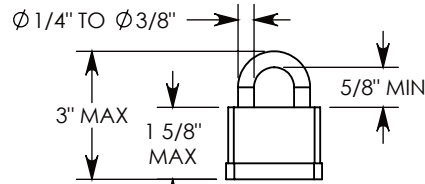
BOLT-DOWN GALV. STEEL FRAME  
~75 LBS  
P/N: 38-44-FRMSLP

CONCRETE PULL BOX  
~2602 LBS  
P/N: PB16-38-44-53

CON-DUCT TERMINATIONS ARE CAST  
INTO BOX SIDEWALLS. 16 PER SIDE (4X)  
THEY FIT UP TO 4" PVC PIPE. TO ACCESS  
THE HOLES, BREAK THE PLASTIC SEAL

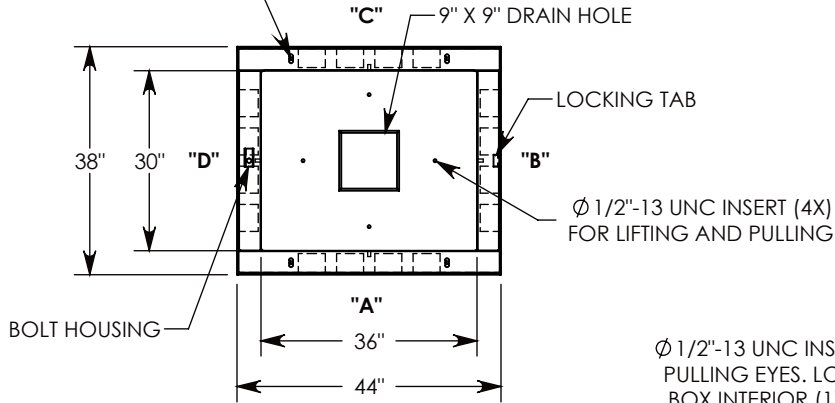
PADLOCK SUPPLIED  
BY OTHERS

ALUM ID PLATE  
"CONCAST"  
P/N: LTR-ID



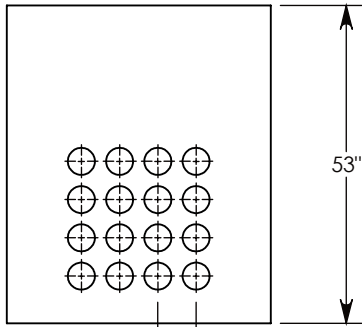
**PADLOCK SPECS**

Ø 1/2"-13 UNC INSERT (4X)  
FOR LIFTING AND BOLT DOWN

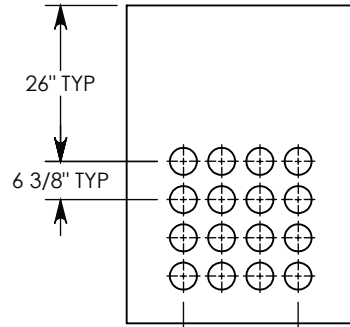


Ø 1/2"-13 UNC INSERT (4X) FOR  
PULLING EYES. LOCATED ON  
BOX INTERIOR (1X PER SIDE)

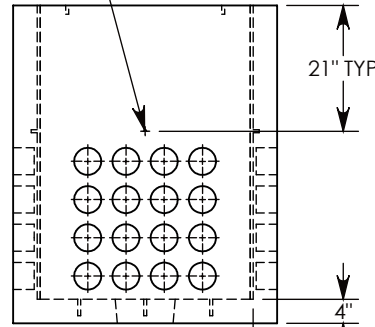
LIFTING LUG  
SHOWN EXTENDED  
COVER SHOWN IN THIS VIEW



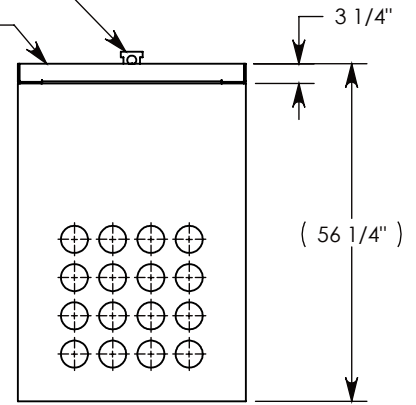
**SIDE "A" (HLR)**



**SIDE "B" (HLR)**



**SIDE "C"**



**SIDE "D" (HLR)**

**NOTE 1:** FOR PVC SIZES SMALLER THAN 4", USE CONCAST RC41 (REDUCING COUPLER)

AASHTO H-20 RATED - 32,000 LB. SINGLE AXLE LOAD

**DRAWN BY: MALACHI MLINAR**

**DATE: 7/31/2019**

**REVISION LEVEL: B**

**WEIGHT:**

**2892 LBS.**

**MATERIAL:**

**NOTED**



1010 NORTH STAR DRIVE  
P.O. BOX 69  
ZUMBROTA, MN 55992-0069

**DESCRIPTION:**

**CONCRETE PULL BOX W/RSG COVER**

DIMENSIONS ARE IN INCHES  
TOLERANCES:  
FRACTIONAL: ± 1/8"  
ANGULAR: ± 2°

CONTACT INFORMATION:  
EMAIL: INFO@CONCASTINC.COM  
PHONE: (507) 732-4095  
FAX: (507) 732-4094

SHEET 1 OF 1

**PART NUMBER:**

**PB16-38-44-53-RSGSLP**