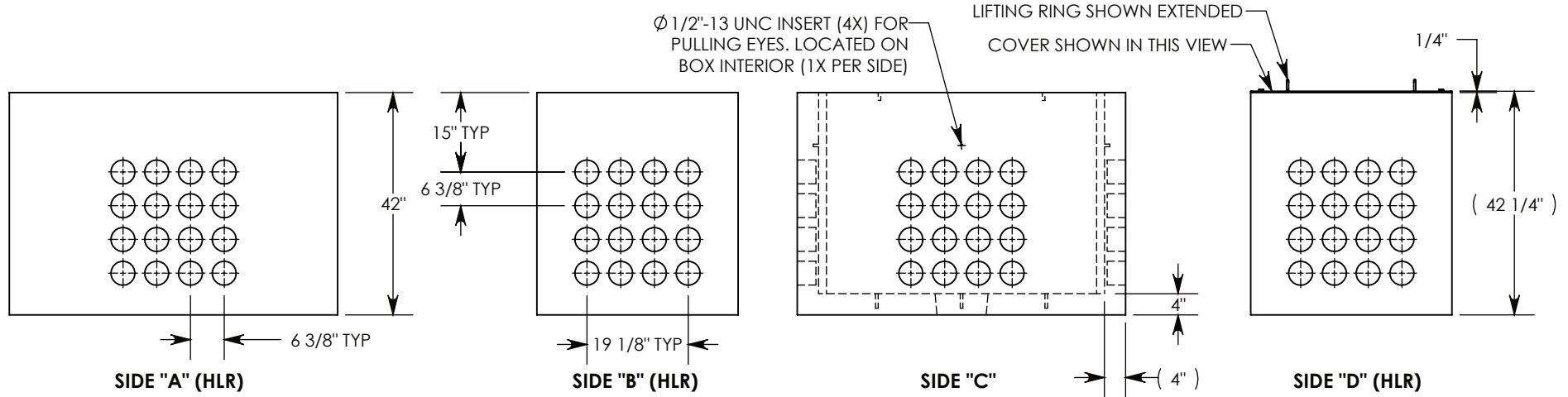
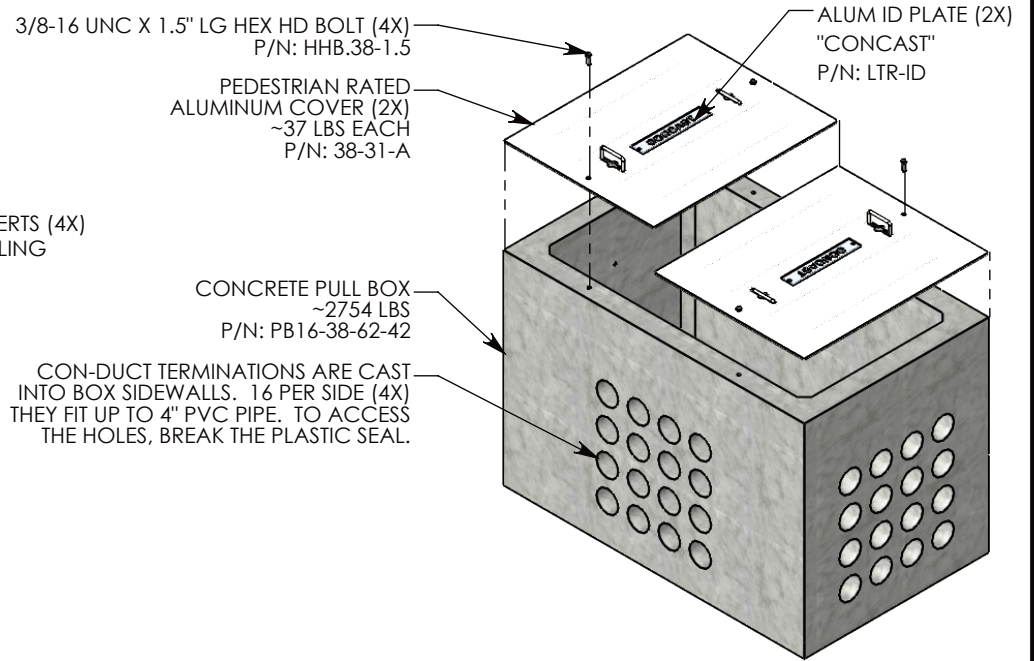
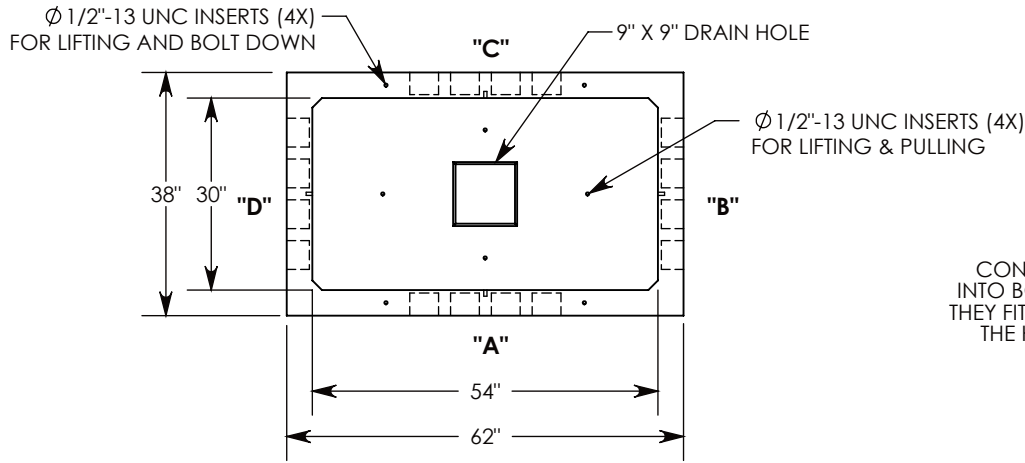


REV B - MKM - 5/25/2018 - UPDATED MODEL & DRAWING
 REV C - SIC - 2/19/2020 - UPDATED DRAWING; UPDATED ALUMINUM COVER WEIGHT, WAS 35 LBS



NOTE 1: FOR PVC SIZES SMALLER THAN 4", USE CONCAST RC41 (REDUCING COUPLER)
NOTE 2: FOR ADDED SECURITY, PENTA HEAD (P/N: PTA.51.5) CAN BE ADDED

PEDESTRIAN RATED - 200 LB. PER SQ. FOOT

DRAWN BY: ROBIN FLINT	
CREATED DATE: 4/16/2010	REVISION LEVEL: C
SAVED DATE: 2/19/2020	SAVED BY: scallahan
WEIGHT: 2829 LBS.	MATERIAL: NOTED



1010 NORTH STAR DRIVE
 P.O. BOX 69
 ZUMBROTA, MN 55992-0069

DESCRIPTION: CONCRETE PULL BOX W/AL. COVERS		SHEET 1 OF 1
DIMENSIONS ARE IN INCHES TOLERANCES: FRACTIONAL: ± 1/8" ANGULAR: ± 2°	CONTACT INFORMATION: EMAIL: INFO@CONCASTINC.COM PHONE: (507) 732-4095 FAX: (507) 732-4094	
PART NUMBER: PB16-38-62-42-A		