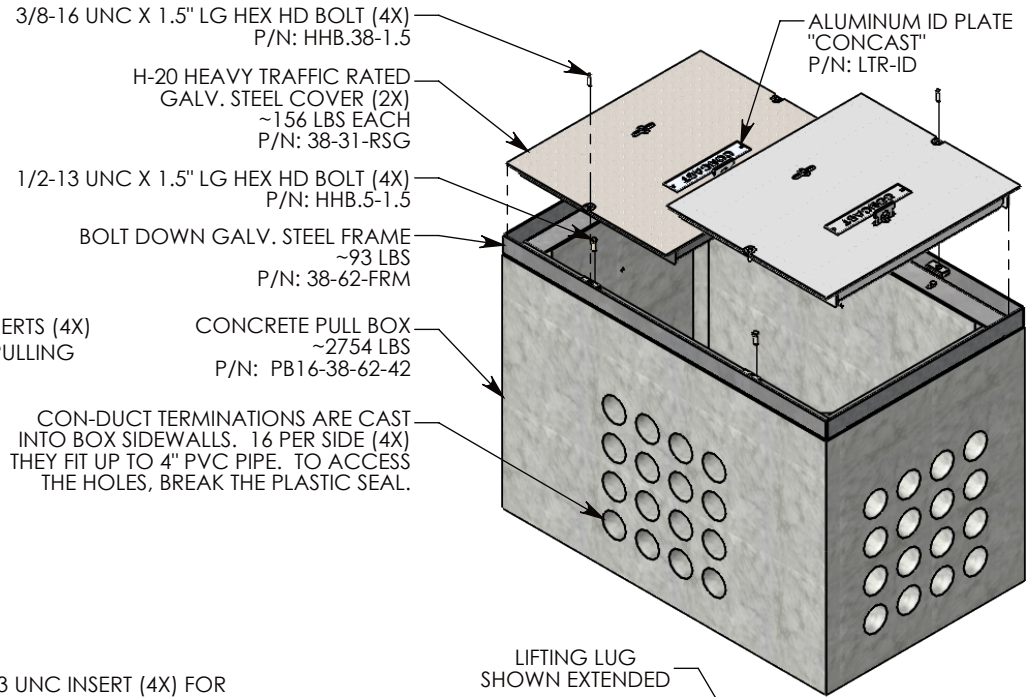
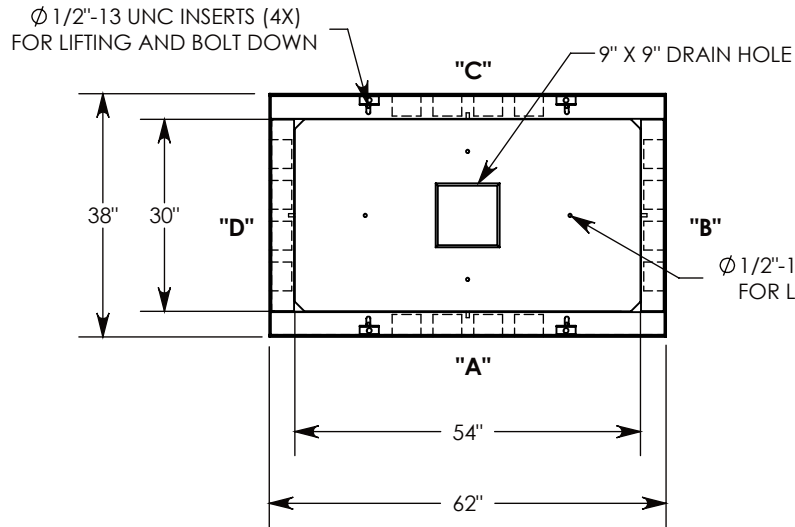
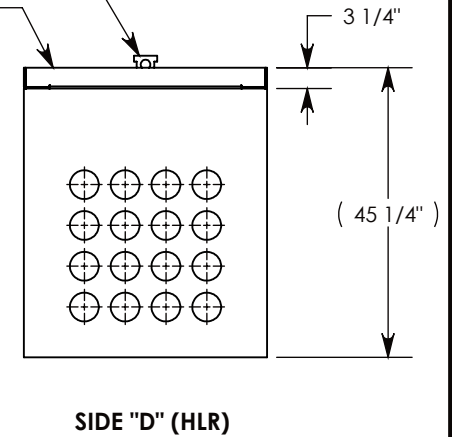
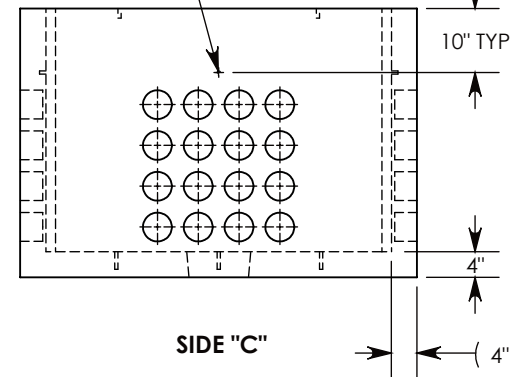
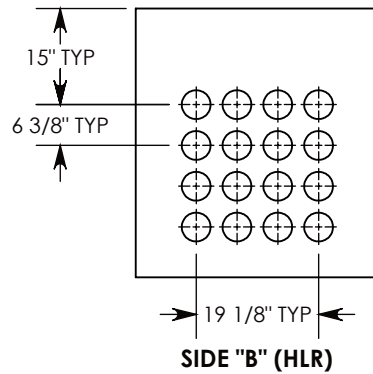
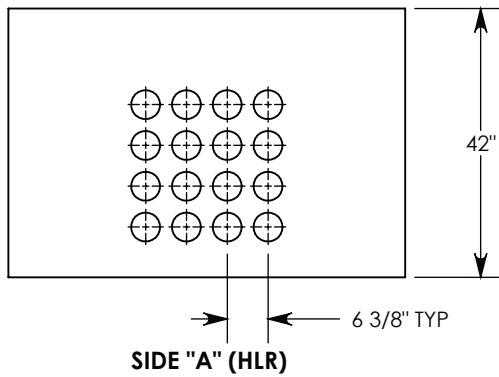


REV A - MKM - 5/29/18 - UPDATED NOTES & DIMENSIONS  
 REV B - MKM - 3/11/19 - UPDATED SURELOCK NOTE



Ø 1/2"-13 UNC INSERT (4X) FOR  
PULLING EYES. LOCATED ON  
BOX INTERIOR (1X PER SIDE)

LIFTING LUG  
SHOWN EXTENDED  
COVER SHOWN IN THIS VIEW



**NOTE 1:** FOR PVC SIZES SMALLER THAN 4", USE CONCAST RC41 (REDUCING COUPLER)

**NOTE 2:** FOR ADDED SECURITY, PENTA HEAD (P/N: PTA.38-1.5) OR SURELOCK BOLTS (P/N: SL.38-1.25) CAN BE ADDED

AASHTO H-20 RATED - 32,000 LB. SINGLE AXLE LOAD

**DRAWN BY: ROBIN FLINT**

**DATE: 3/11/2019**

**REVISION LEVEL: B**

**WEIGHT:**

**MATERIAL:**

**3140 LBS. W/COVER**

**NOTED**



**DESCRIPTION:**

**CONCRETE PULL BOX W/RSG COVERS**

DIMENSIONS ARE IN INCHES  
 TOLERANCES:  
 FRACTIONAL: ± 1/8"  
 ANGULAR: ± 2°

CONTACT INFORMATION:  
 EMAIL: INFO@CONCASTINC.COM  
 PHONE: (507) 732-4095  
 FAX: (507) 732-4094

SHEET 1 OF 1

**PART NUMBER:**

**PB16-38-62-42-RSG**