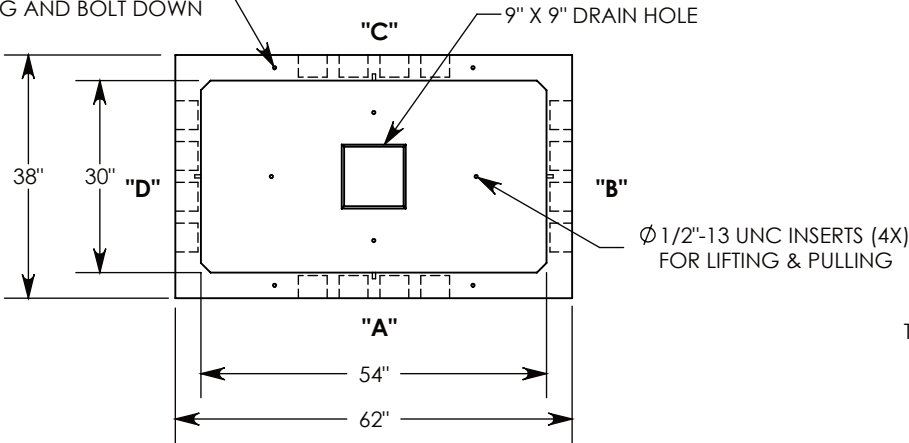
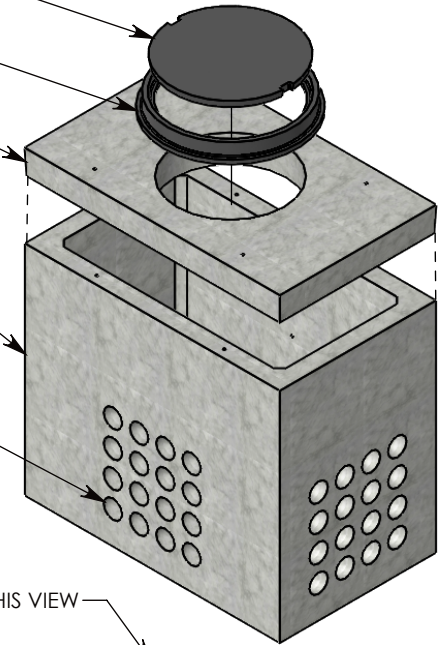


Ø 1/2"-13 UNC INSERTS (4X)  
FOR LIFTING AND BOLT DOWN



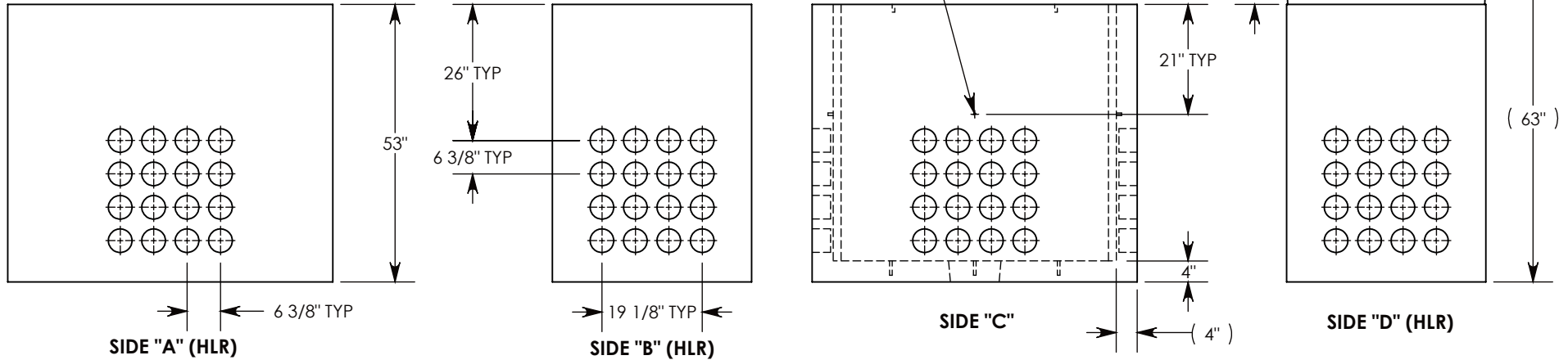
- CAST IRON MANHOLE LID  
~239 LBS  
P/N: CI-32-26-CVR
- 34 INCH CAST IRON FRAME  
~150 LBS  
P/N: CI-32-26-FRM
- H-20 HEAVY TRAFFIC RATED  
CONCRETE MANHOLE COVER  
~954 LBS  
P/N: 38-62-MH



- CONCRETE PULL BOX  
~3421 LBS  
P/N: PB16-38-62-53

CON-DUCT TERMINATIONS ARE CAST INTO BOX SIDEWALLS. 16 PER SIDE (4X) THEY FIT UP TO 4" PVC PIPE. TO ACCESS THE HOLES, BREAK THE PLASTIC SEAL.

Ø 1/2"-13 UNC INSERT (4X) FOR PULLING EYES. LOCATED ON BOX INTERIOR (1X PER SIDE)



NOTE 1: FOR PVC SIZES SMALLER THAN 4", USE CONCAST RC41 (REDUCING COUPLER).

AASHTO H-20 RATED - 32,000 LB. SINGLE AXLE LOAD

<b>DRAWN BY: ROBIN FLINT</b>		 1010 NORTH STAR DRIVE P.O. BOX 69 ZUMBROTA, MN 55992-0069	<b>DESCRIPTION:</b>	
<b>DATE: 5/25/2018</b>	<b>REVISION LEVEL: B</b>		<b>PULL BOX W/MANHOLE COVER</b>	
<b>WEIGHT:</b>	<b>MATERIAL:</b>		DIMENSIONS ARE IN INCHES TOLERANCES: FRACTIONAL: ± 1/8" ANGULAR: ± 2°	CONTACT INFORMATION: EMAIL: INFO@CONCASTINC.COM PHONE: (507) 732-4095 FAX: (507) 732-4094
<b>4764 LBS. W/COVER</b>	<b>NOTED</b>	<b>PART NUMBER:</b> <b>PB16-38-62-53-MH</b>		