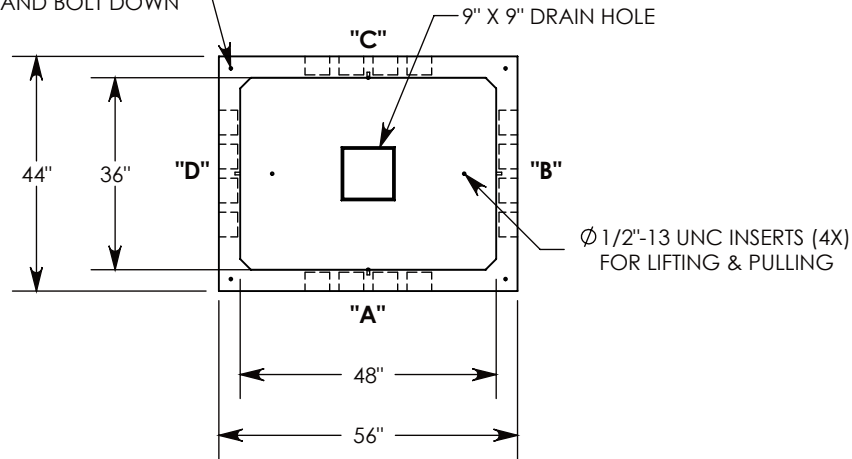
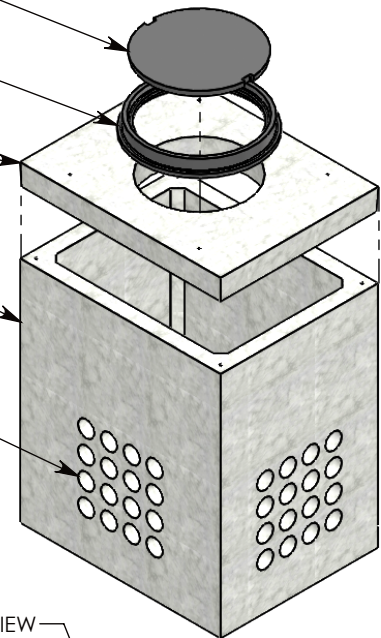


Ø 1/2"-13 UNC INSERTS (4X)
FOR LIFTING AND BOLT DOWN



- CAST IRON MANHOLE LID
~239 LBS
P/N: CI-32-26-CVR
- 34 INCH CAST IRON FRAME
~150 LBS
P/N: CI-32-26-FRM
- H-20 HEAVY TRAFFIC RATED
CONCRETE MANHOLE COVER
~1016 LBS
P/N: 44-56-MH

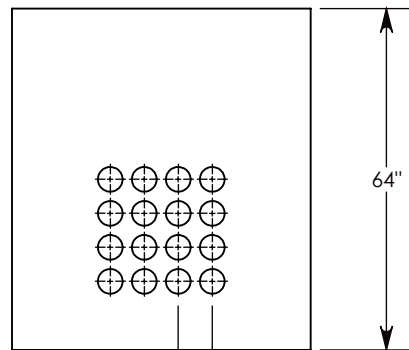


- CONCRETE PULL BOX
~4124 LBS
P/N: PB16-44-56-64

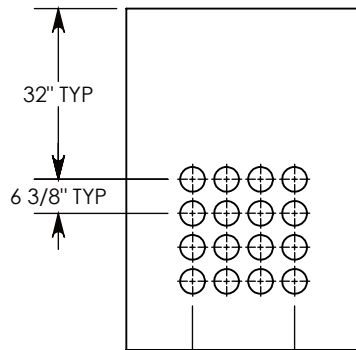
CON-DUCT TERMINATIONS ARE CAST INTO BOX SIDEWALLS. 16 PER SIDE (4X) THEY FIT UP TO 4" PVC PIPE. TO ACCESS THE HOLES, BREAK THE PLASTIC SEAL

COVER SHOWN IN THIS VIEW

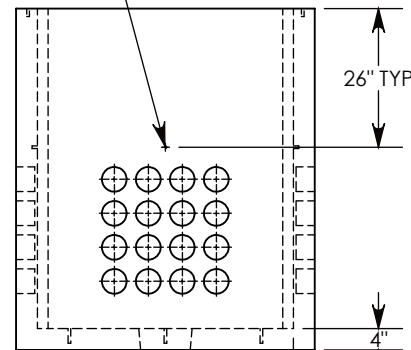
Ø 1/2"-13 UNC INSERT (4X) FOR PULLING EYES. LOCATED ON BOX INTERIOR (1X PER SIDE)



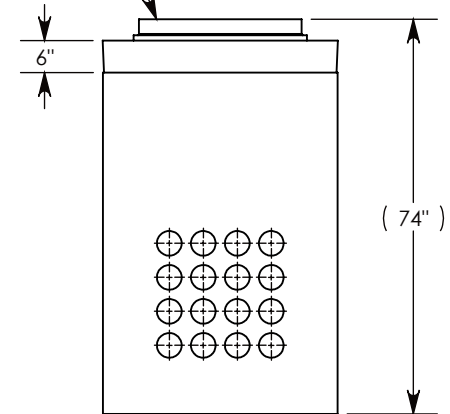
SIDE "A" (HLR)



SIDE "B" (HLR)



SIDE "C"



SIDE "D" (HLR)

NOTE 1: FOR PVC SIZES SMALLER THAN 4", USE CONCAST RC41 (REDUCING COUPLER).

AASHTO H-20 RATED - 32,000 LB. SINGLE AXLE LOAD

DRAWN BY: ROBIN FLINT	
DATE: 5/31/2018	REVISION LEVEL: B
WEIGHT: 5529 LBS. W/COVER	MATERIAL: NOTED

1010 NORTH STAR DRIVE
P.O. BOX 69
ZUMBROTA, MN 55992-0069

DESCRIPTION: PULL BOX W/ MANHOLE COVER		
DIMENSIONS ARE IN INCHES TOLERANCES: FRACTIONAL: ± 1/8" ANGULAR: ± 2°	CONTACT INFORMATION: EMAIL: INFO@CONCASTINC.COM PHONE: (507) 732-4095 FAX: (507) 732-4094	SHEET 1 OF 1
PART NUMBER: PB16-44-56-64-MH		