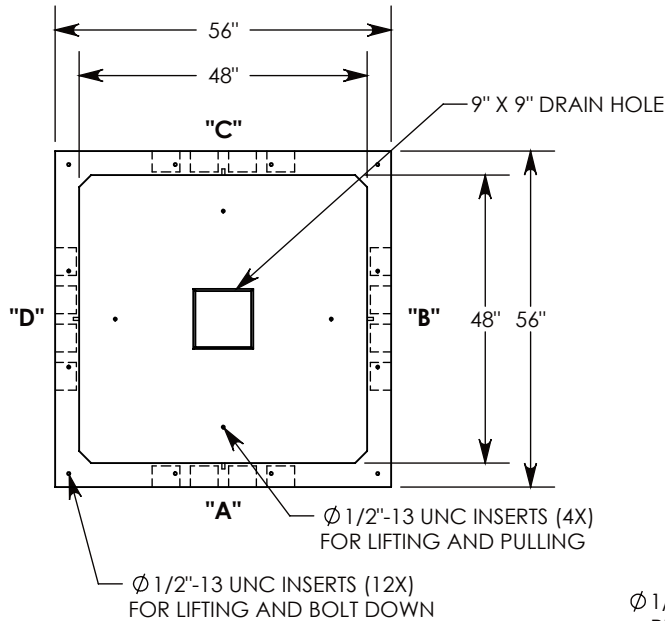


REV. B - MKM - 6/4/2018 - UPDATED MODEL & DRAWING  
 REV. C - SIC - 10/10/2019 - UPDATED NOTES AND DIMENSIONS; 1/2"-13 UNC BOLT DOWN INSERTS, QTY: 12 WAS QTY: 4  
 REV. D - SIC - 2/19/2020 - UPDATED ALUMINUM COVER WEIGHT, WAS 127 LBS

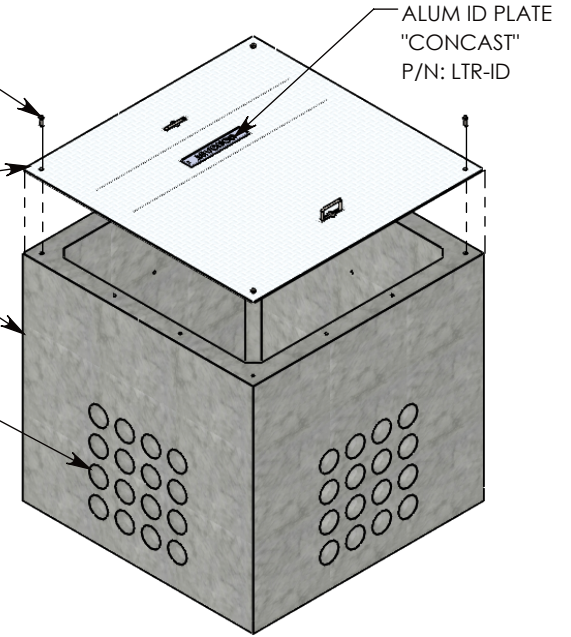


1/2-13 UNC X 1.5" LG HEX HD BOLT (4X)  
 P/N: HHB.5-1.5

PEDESTRIAN RATED  
 ALUMINUM COVER  
 ~122 LBS  
 P/N: 56-56-A

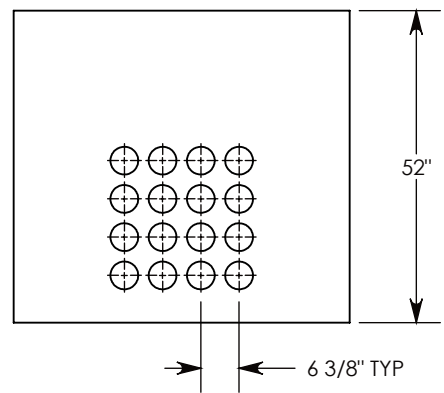
CONCRETE PULL BOX  
 ~3990 LBS  
 P/N: PB16-56-56-52

CON-DUCT TERMINATIONS ARE CAST  
 INTO BOX SIDEWALLS. 16 PER SIDE (4X)  
 THEY FIT UP TO 4" PVC PIPE. TO ACCESS  
 THE HOLES, BREAK THE PLASTIC SEAL

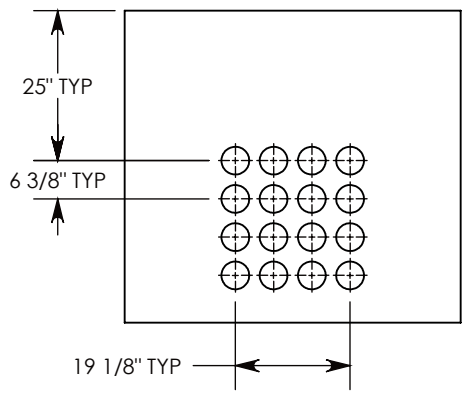


Ø 1/2"-13 UNC INSERT (4X) FOR  
 PULLING EYES. LOCATED ON  
 BOX INTERIOR (1X PER SIDE)

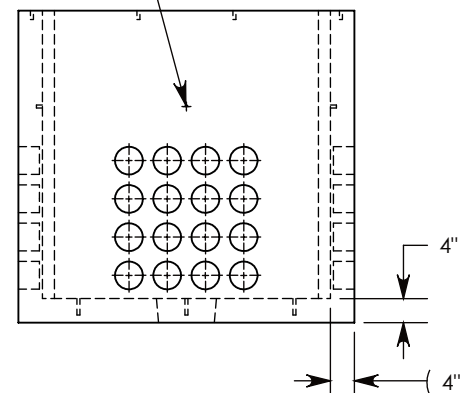
LIFT RING SHOWN EXTENDED  
 COVER SHOWN IN THIS VIEW



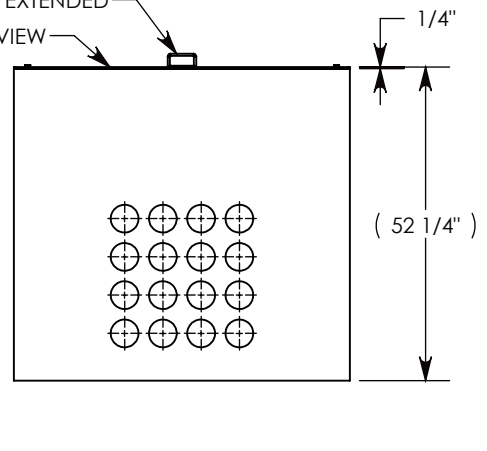
SIDE "A" (HLR)



SIDE "B" (HLR)



SIDE "C"



SIDE "D" (HLR)

NOTE 1: FOR PVC SIZES SMALLER THAN 4", USE CONCAST RC41 (REDUCING COUPLER)  
 NOTE 2: FOR ADDED SECURITY, PENTA HEAD BOLTS (P/N: PTA.5-1.5) CAN BE ADDED

PEDESTRIAN RATED - 200 LB. PER SQ. FOOT

DRAWN BY: <b>ROBIN FLINT</b>	
CREATED DATE: <b>3/26/2010</b>	REVISION LEVEL: <b>D</b>
SAVED DATE: <b>2/19/2020</b>	SAVED BY: <b>scallahan</b>
WEIGHT: <b>4113 LBS.</b>	MATERIAL: <b>NOTED</b>

1010 NORTH STAR DRIVE  
 P.O. BOX 69  
 ZUMBROTA, MN 55992-0069

<b>DESCRIPTION:</b> <b>PULL BOX W/ ALUMINUM COVER</b>	
DIMENSIONS ARE IN INCHES TOLERANCES: FRACTIONAL: ± 1/8" ANGULAR: ± 2°	CONTACT INFORMATION: EMAIL: <a href="mailto:INFO@CONCASTINC.COM">INFO@CONCASTINC.COM</a> PHONE: (507) 732-4095 FAX: (507) 732-4094
<b>PART NUMBER:</b> <b>PB16-56-56-52-A</b>	