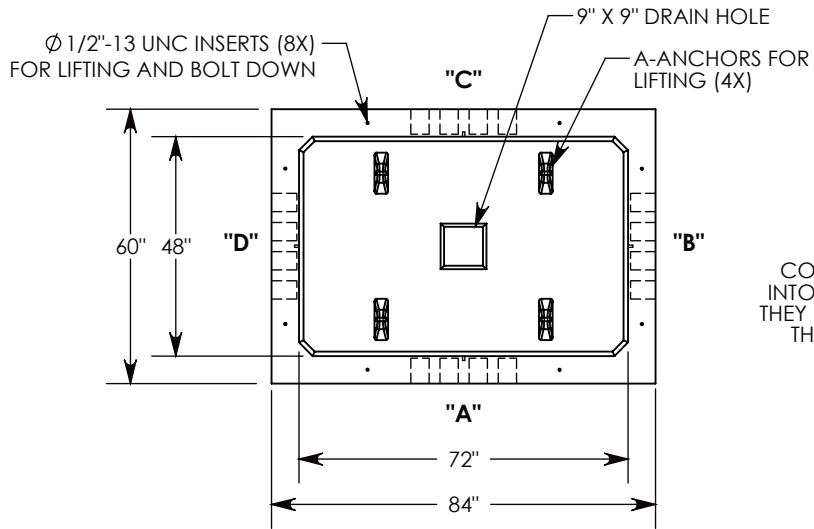


REV. B - MKM - 8/9/2018 - UPDATED HARDWARE FOR BOLT DOWN
 REV. C - SIC - 3/23/2020 - UPDATED ANNOTATIONS; UPDATED 60-42-A WEIGHT TO 99 LBS, WAS 111 LBS



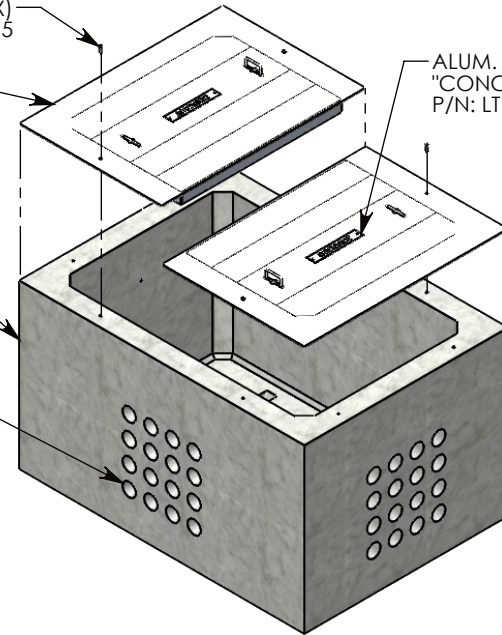
1/2-13 UNC X 1.5" LG HEX HD BOLT (4X)
 P/N: HHB.5-1.5

PEDESTRIAN RATED ALUMINUM COVER (2X)
 ~99 LBS
 P/N: 60-42-A

ALUM. ID PLATE (2X)
 "CONCAST"
 P/N: LTR-ID

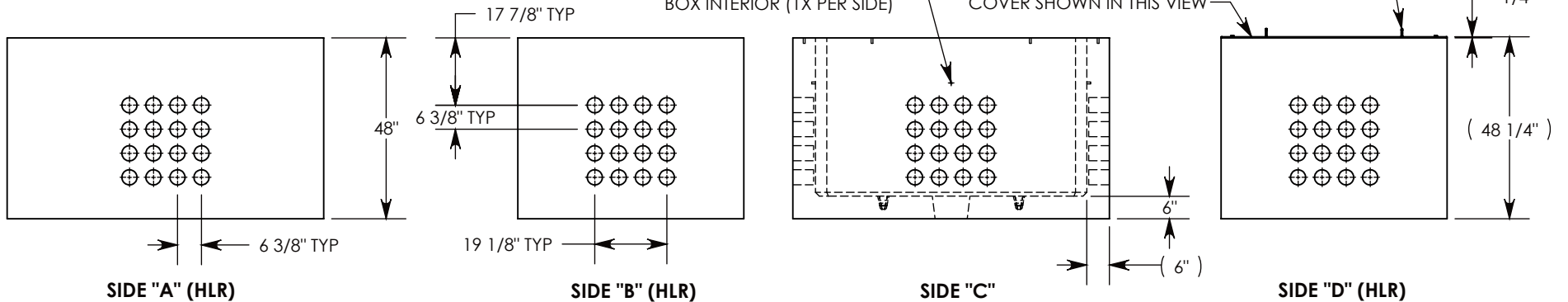
CONCRETE PULL BOX
 ~7577 LBS
 P/N: PB16-60-84-48

CON-DUCT TERMINATIONS ARE CAST INTO BOX SIDEWALLS. 16 PER SIDE (4X) THEY FIT UP TO 4" PVC PIPE. TO ACCESS THE HOLES, BREAK THE PLASTIC SEAL



Ø 1/2"-13 UNC INSERT (4X) FOR PULLING EYES. LOCATED ON BOX INTERIOR (1X PER SIDE)

LIFTING RING SHOWN EXTENDED
 COVER SHOWN IN THIS VIEW



NOTE 1: FOR PVC SIZES SMALLER THAN 4", USE CONCAST RC41 (REDUCING COUPLER).
 NOTE 2: FOR ADDED SECURITY, PENTA HEAD BOLTS (P/N: PTA.5-1.5) CAN BE ADDED

PEDESTRIAN RATED - 200 LB. PER SQ. FOOT

DRAWN BY: **ROBIN FLINT**

CREATED DATE: **6/24/2011**

REVISION LEVEL: **C**

SAVED DATE: **3/23/2020**

SAVED BY: **scallahan**

WEIGHT:
7776 LBS.

MATERIAL:
NOTED

CONCAST
 1010 NORTH STAR DRIVE
 P.O. BOX 69
 ZUMBROTA, MN 55992-0069

DESCRIPTION:

PULL BOX W/ALUMINUM COVERS

DIMENSIONS ARE IN INCHES
 TOLERANCES:
 FRACTIONAL: ± 1/8"
 ANGULAR: ± 2°

CONTACT INFORMATION:
 EMAIL: INFO@CONCASTINC.COM
 PHONE: (507) 732-4095
 FAX: (507) 732-4094

SHEET 1 OF 1

PART NUMBER:

PB16-60-84-48-A