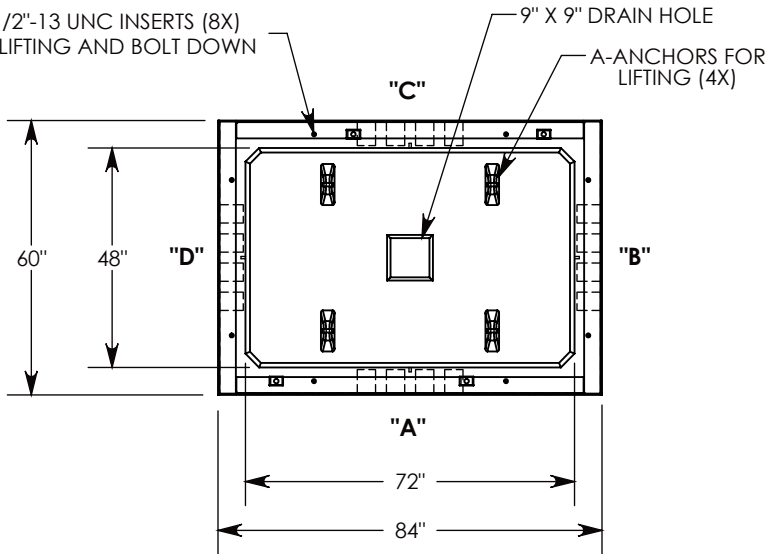


REV B - MKM - 8/14/18 - UPDATED HARDWARE FOR BOLT DOWN
 REV C - SIC - 6/6/2019 - UPDATED SURELOCK NOTE

Ø 1/2"-13 UNC INSERTS (8X)
 FOR LIFTING AND BOLT DOWN



3/8-16 UNC X 1.5" LG HEX HD BOLT (4X)
 P/N: HHB.38-1.5

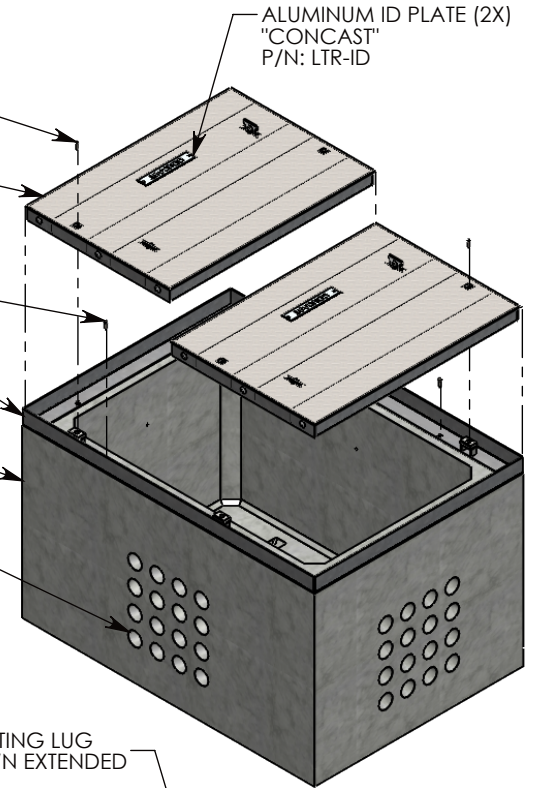
H-20 HEAVY TRAFFIC RATED
 GALVANIZED STEEL COVER (2X)
 ~331 LBS
 P/N: 60-42-RSG

1/2-13 UNC X 1.5" LG HEX HD BOLT (8X)
 P/N: HHB.5-1.5

BOLT DOWN GALV. STEEL FRAME
 ~153 LBS
 P/N: 60-84-FRM

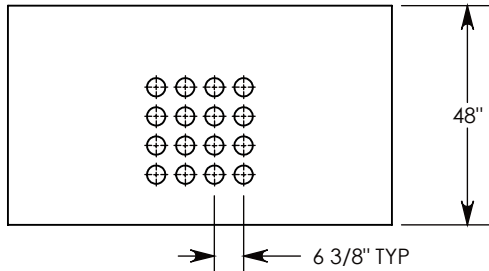
CONCRETE PULL BOX
 ~7577 LBS
 P/N: PB16-60-84-48

CON-DUCT TERMINATIONS ARE CAST
 INTO BOX SIDEWALLS. 16 PER SIDE (4X)
 THEY FIT UP TO 4" PVC PIPE. TO ACCESS
 THE HOLES, BREAK THE PLASTIC SEAL

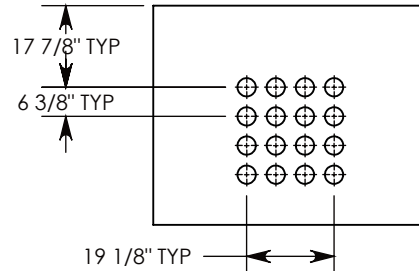


Ø 1/2"-13 UNC INSERT (4X) FOR
 PULLING EYES. LOCATED ON
 BOX INTERIOR (1X PER SIDE)

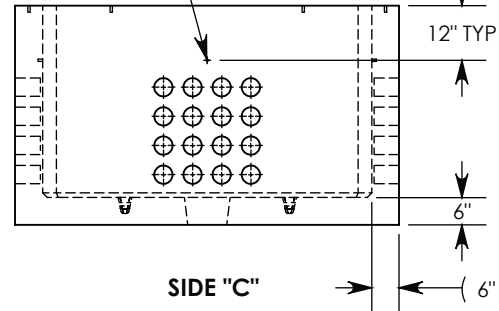
LIFTING LUG
 SHOWN EXTENDED
 COVER SHOWN IN THIS VIEW



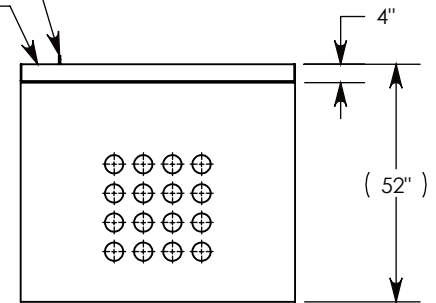
SIDE "A" (HLR)



SIDE "B" (HLR)



SIDE "C"



SIDE "D" (HLR)

NOTE 1: FOR PVC SIZES SMALLER THAN 4", USE CONCAST RC41 (REDUCING COUPLER)

NOTE 2: FOR ADDED SECURITY, PENTA HEAD (P/N: PTA.38-1.5) OR SURELOCK BOLTS (P/N: SL.38-1.25) CAN BE ADDED

AASHTO H-20 RATED - 32,000 LB. SINGLE AXLE LOAD

DRAWN BY: ROBIN FLINT	
DATE: 6/6/2019	REVISION LEVEL: C
WEIGHT:	MATERIAL:
8392 LBS. W/COVERS	NOTED

1010 NORTH STAR DRIVE
 P.O. BOX 69
 ZUMBROTA, MN 55992-0069

DESCRIPTION: CONCRETE PULL BOX W/GALV. STEEL COVERS		
DIMENSIONS ARE IN INCHES TOLERANCES: FRACTIONAL: ± 1/8" ANGULAR: ± 2°	CONTACT INFORMATION: EMAIL: INFO@CONCASTINC.COM PHONE: (507) 732-4095 FAX: (507) 732-4094	SHEET 1 OF 1
PART NUMBER: PB16-60-84-48-RSG		