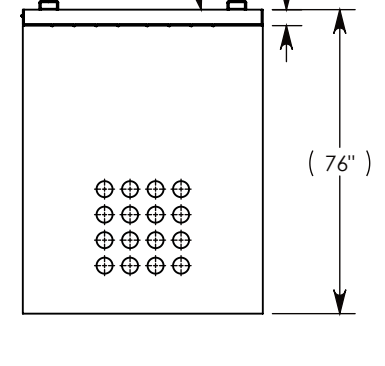
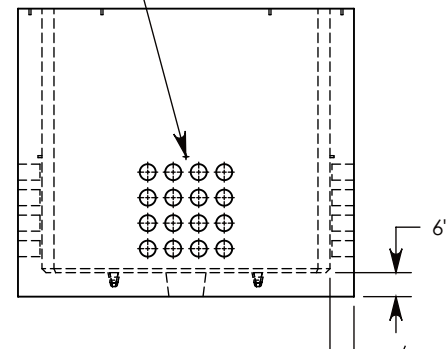
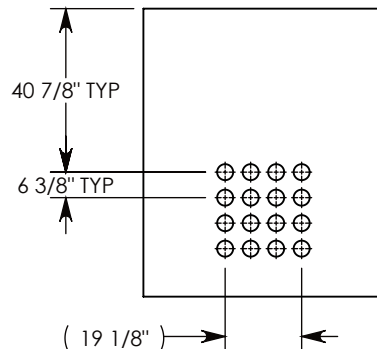
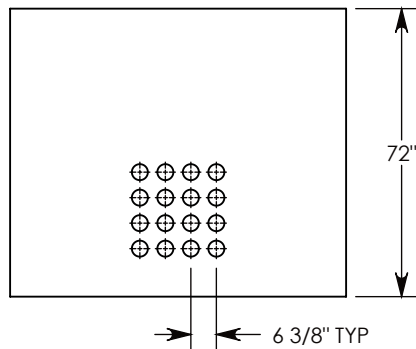


CON-DUCT TERMINATIONS ARE CAST INTO BOX SIDEWALLS. 16 PER SIDE THEY FIT UP TO 4" PVC PIPE. TO ACCESS THE HOLES, BREAK THE PLASTIC SEAL.

Ø 1/2"-13 UNC INSERT (4X) FOR PULLING EYES. LOCATED ON BOX INTERIOR (1X PER SIDE)

COVER SHOWN IN THIS VIEW  
LIFT RING SHOWN EXTENDED



**NOTE 1:** FOR ADDED SECURITY, PENTA HEAD (P/N: PTA.38-2.5) OR SURELOCK BOLTS (P/N: SL.38-2.5) CAN BE ADDED  
**NOTE 2:** FOR PVC SIZES SMALLER THAN 4", USE CONCAST RC41 (REDUCING COUPLER).

AASHTO H-20 RATED - 32,000 LB. SINGLE AXLE LOAD

DRAWN BY: <b>SAMUEL CALLAHAN</b>	
CREATED DATE: <b>6/7/2019</b>	REVISION LEVEL: <b>A</b>
SAVED DATE: <b>9/3/2020</b>	SAVED BY: <b>jgutting</b>
WEIGHT: <b>11630 LBS.</b>	MATERIAL: <b>NOTED</b>

1010 NORTH STAR DRIVE  
P.O. BOX 69  
ZUMBROTA, MN 55992-0069

DESCRIPTION: <b>CONCRETE PULL BOX W/ SPA COVER</b>	
DIMENSIONS ARE IN INCHES TOLERANCES: FRACTIONAL: ± 1/8" ANGULAR: ± 2°	CONTACT INFORMATION: EMAIL: <a href="mailto:INFO@CONCASTINC.COM">INFO@CONCASTINC.COM</a> PHONE: (507) 732-4095 FAX: (507) 732-4094
PART NUMBER: <b>PB16-60-84-72-SPA</b>	
SHEET 1 OF 1	