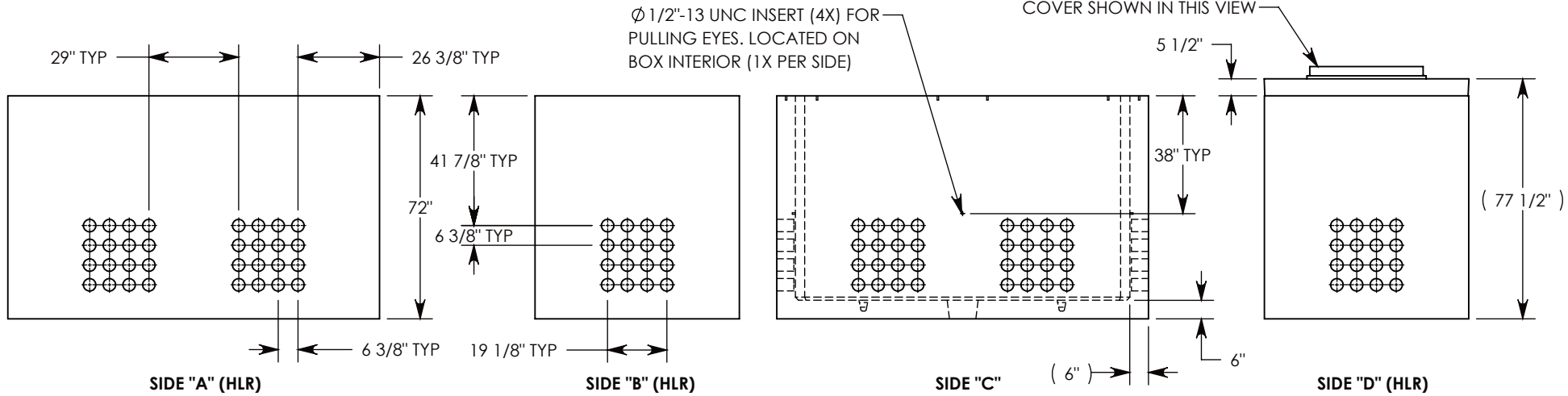


CON-DUCT TERMINATIONS ARE CAST INTO BOX SIDEWALLS. SETS OF 16 ON EACH SIDE. THEY FIT UP TO 4\"/>



NOTE 1: FOR PVC SIZES SMALLER THAN 4\", USE CONCAST RC41 (REDUCING COUPLER).

AASHTO H-20 RATED - 32,000 LB. SINGLE AXLE LOAD

|                                   |                          |
|-----------------------------------|--------------------------|
| <b>DRAWN BY: SAMUEL CALLAHAN</b>  |                          |
| <b>DATE: 5/24/2019</b>            | <b>REVISION LEVEL: 0</b> |
| <b>WEIGHT: 18800 LBS. W/COVER</b> | <b>MATERIAL: NOTED</b>   |



1010 NORTH STAR DRIVE  
P.O. BOX 69  
ZUMBROTA, MN 55992-0069

|  |  |              |
|--|--|--------------|
| <b>DESCRIPTION: PULL BOX W/MANHOLE COVER</b>                     |  |              |
| DIMENSIONS ARE IN INCHES<br>TOLERANCES:<br>FRACTIONAL: ± 1/8\"/> | CONTACT INFORMATION:<br>EMAIL: INFO@CONCASTINC.COM<br>PHONE: (507) 732-4095<br>FAX: (507) 732-4094 | SHEET 1 OF 1 |
| <b>PART NUMBER: PB16-66-120-72-MH</b>                            |  |              |