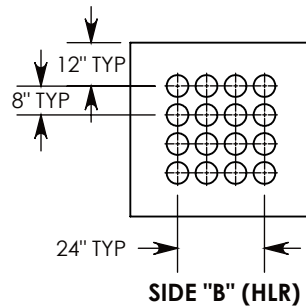
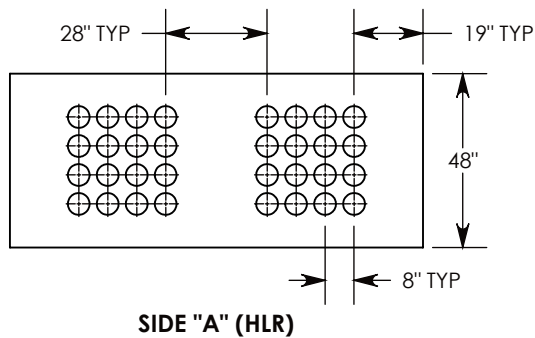
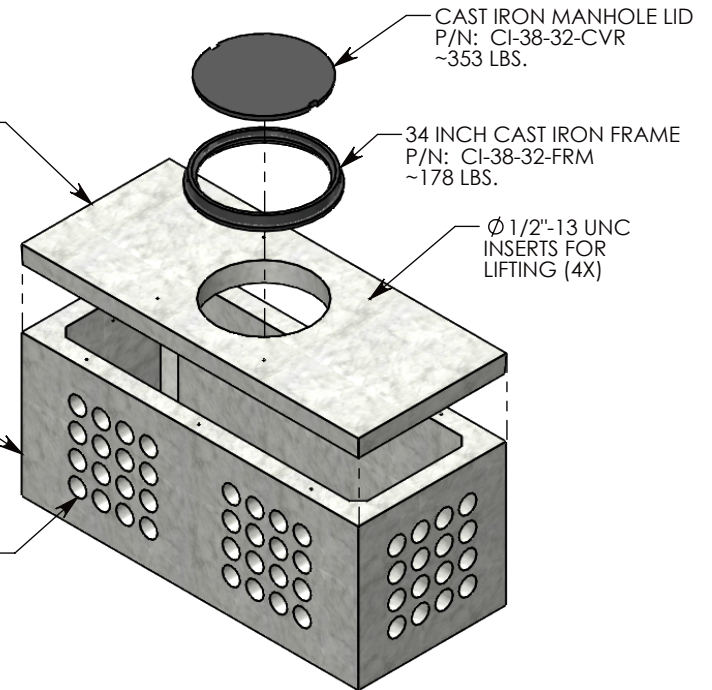


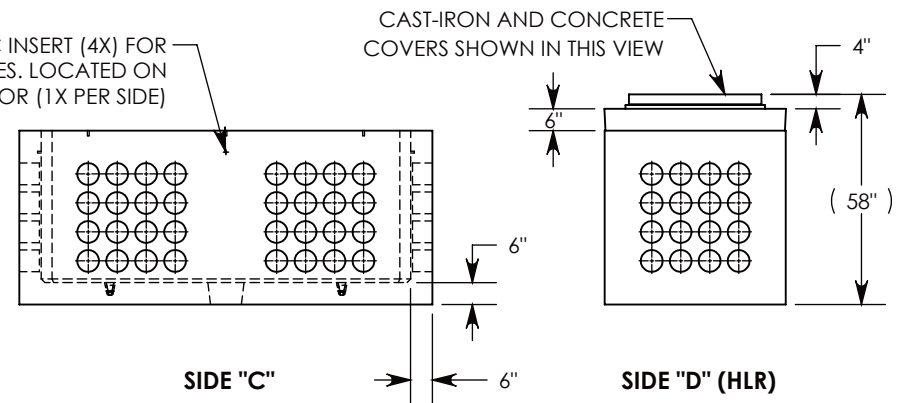
H-20 HEAVY TRAFFIC RATED
 REINFORCED CONCRETE COVER
 P/N: 50-114-MH
 ~2617 LBS.

CONCRETE PULL BOX
 P/N: PB166-50-114-48
 ~7869 LBS

CON-DUCT TERMINATIONS ARE CAST INTO
 BOX SIDEWALLS. SETS OF 16 ON EACH SIDE.
 THEY FIT UP TO 6" PVC PIPE. TO ACCESS
 THE HOLES, BREAK THE PLASTIC SEAL



Ø 1/2"-13 UNC INSERT (4X) FOR
 PULLING EYES. LOCATED ON
 BOX INTERIOR (1X PER SIDE)



AASHTO H-20 RATED - 32,000 LB. SINGLE AXLE LOAD

DRAWN BY: ROBIN FLINT

CREATED DATE: 6/24/2011 **REVISION LEVEL: B**
SAVED DATE: 9/10/2021 **SAVED BY: scallahan**

WEIGHT: 11017 LBS. **MATERIAL: NOTED**

CONCAST
 1010 NORTH STAR DRIVE
 P.O. BOX 69
 ZUMBROTA, MN 55992-0069

DESCRIPTION:
CONCRETE PULL BOX W/MANHOLE COVER

DIMENSIONS ARE IN INCHES
 TOLERANCES:
 FRACTIONAL: ± 1/8"
 ANGULAR: ± 2°
 CONTACT INFORMATION:
 EMAIL: INFO@CONCASTINC.COM
 PHONE: (507) 732-4095
 FAX: (507) 732-4094
 SHEET 1 OF 1

PART NUMBER:
PB166-50-114-48-MH