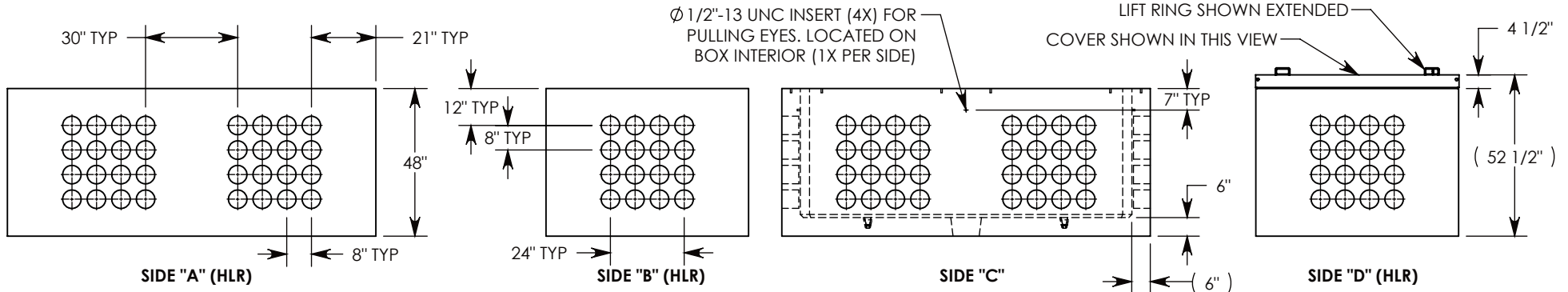


CON-DUCT TERMINATIONS ARE CAST INTO BOX SIDEWALLS. SETS OF 16 ON EACH SIDE. THEY FIT UP TO 6" PVC PIPE. TO ACCESS THE HOLES, BREAK THE PLASTIC SEAL



NOTE 1: FOR ADDED SECURITY, PENTA HEAD (P/N: PTA.38-1.5) OR SURELOCK BOLT (P/N: SL.38-1.25) CAN BE ADDED

AASHTO H-20 RATED - 32,000 LB. SINGLE AXLE LOAD

DRAWN BY: **SAMUEL CALLAHAN**

DATE: **6/12/2019**

REVISION LEVEL: **0**

WEIGHT:

11311 LBS.

MATERIAL:

NOTED



DESCRIPTION:

CONCRETE PULL BOX W/GALV. STEEL COVERS

DIMENSIONS ARE IN INCHES
TOLERANCES:
FRACTIONAL: ± 1/8"
ANGULAR: ± 2°

CONTACT INFORMATION:
EMAIL: INFO@CONCASTINC.COM
PHONE: (507) 732-4095
FAX: (507) 732-4094

SHEET 1 OF 1

PART NUMBER:

PB166-66-120-48-SPA