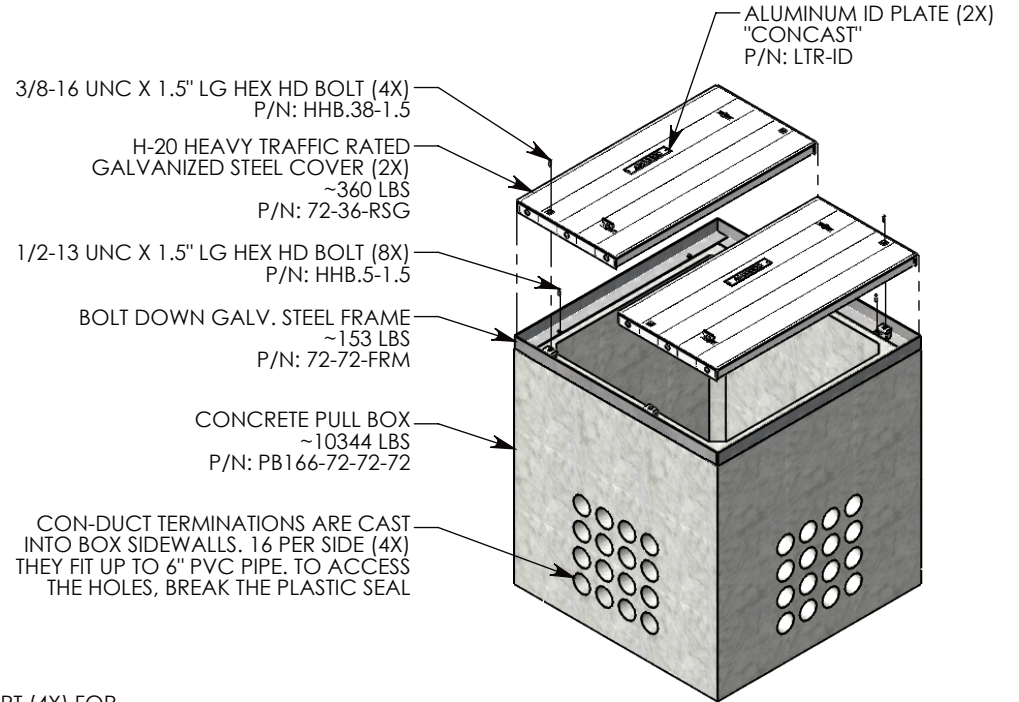
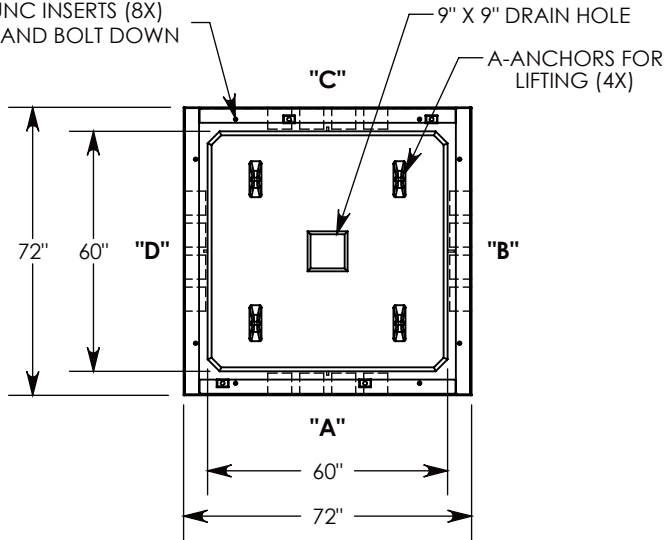
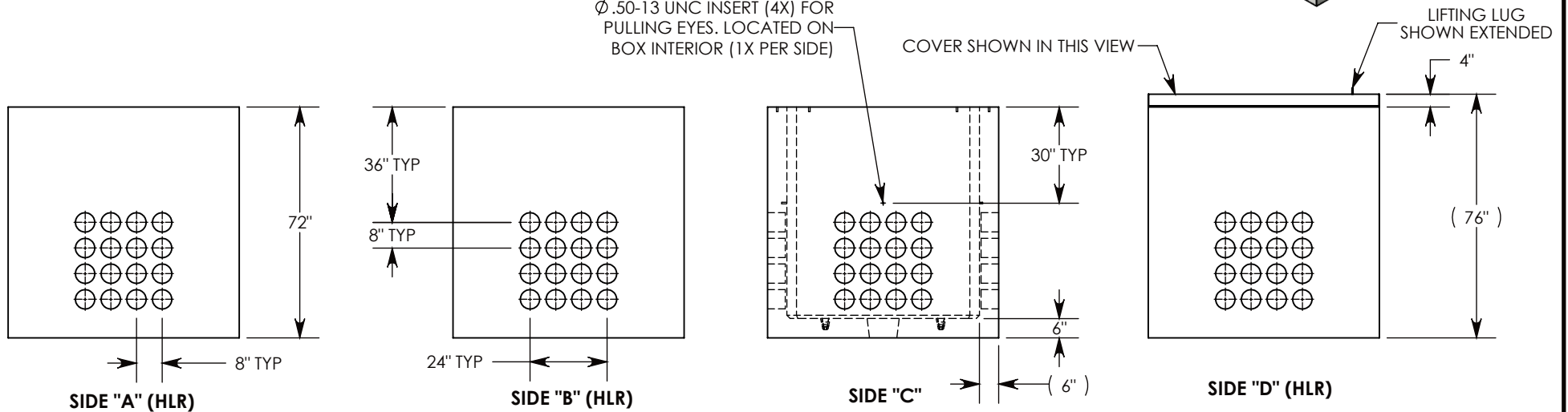


REV B - MKM - 8/17/18 - UPDATED HARDWARE FOR BOLT DOWN  
 REV C - SIC - 6/7/2019 - UPDATED SURELOCK NOTE

Ø 1/2"-13 UNC INSERTS (8X)  
 FOR LIFTING AND BOLT DOWN



Ø .50-13 UNC INSERT (4X) FOR  
 PULLING EYES. LOCATED ON  
 BOX INTERIOR (1X PER SIDE)



NOTE 1: FOR ADDED SECURITY, PENTA HEAD (P/N: PTA.38-1.5) OR SURELOCK BOLTS (P/N: SL.38-1.25) CAN BE ADDED

AASHTO H-20 RATED - 32,000 LB. SINGLE AXLE LOAD

<b>DRAWN BY: ROBIN FLINT</b>		 1010 NORTH STAR DRIVE P.O. BOX 69 ZUMBROTA, MN 55992-0069	<b>DESCRIPTION:</b>		
<b>DATE: 6/7/2019</b>	<b>REVISION LEVEL: C</b>		<b>PULL BOX W/GALV. STEEL COVERS</b>		
<b>WEIGHT:</b>	<b>MATERIAL:</b>		DIMENSIONS ARE IN INCHES TOLERANCES: FRACTIONAL: ± 1/8" ANGULAR: ± 2°	CONTACT INFORMATION: EMAIL: INFO@CONCASTINC.COM PHONE: (507) 732-4095 FAX: (507) 732-4094	SHEET 1 OF 1
<b>11218 LBS. W/COVERS</b>	<b>NOTED</b>		<b>PART NUMBER: PB166-72-72-72-RSG</b>		