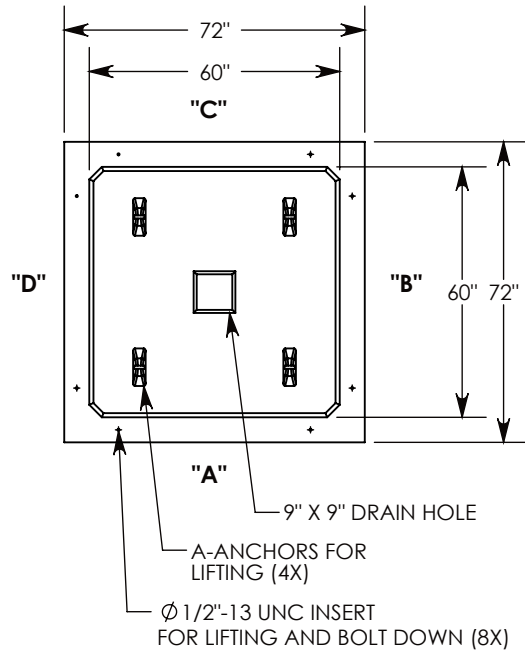


REV. A - SIC - 6/10/2019 - UPDATED ANNOTATIONS, DIMENSIONS, BOX HEIGHT AND VIEWS
 REV. B - JCG - 10/20/2020 - UPDATED COVER



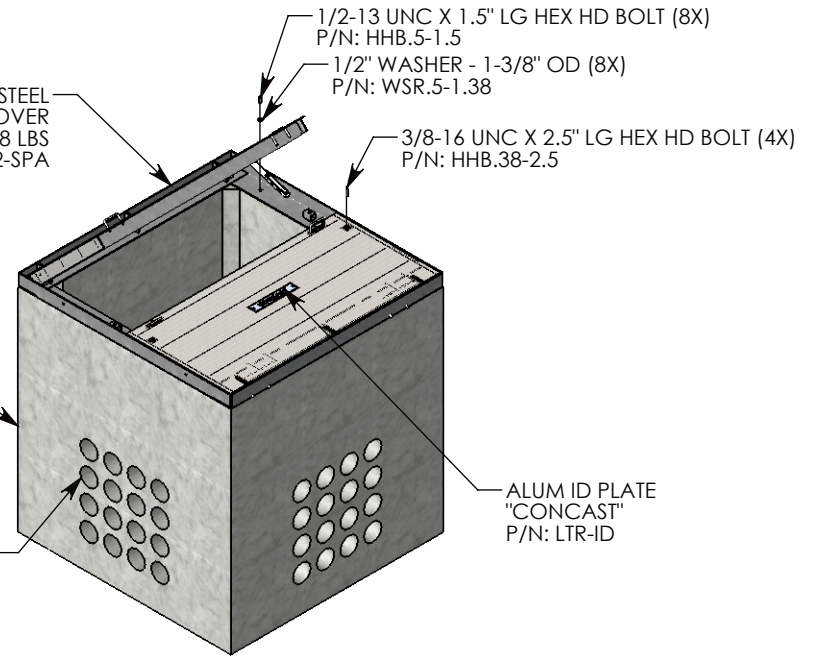
- 1/2-13 UNC X 1.5" LG HEX HD BOLT (8X)
P/N: HHB.5-1.5
- 1/2" WASHER - 1-3/8" OD (8X)
P/N: WSR.5-1.38
- 3/8-16 UNC X 2.5" LG HEX HD BOLT (4X)
P/N: HHB.38-2.5

BOLT-DOWN GALV. STEEL
 FRAME & SPA COVER
 ~958 LBS
 P/N: 72-72-SPA

CONCRETE PULL BOX
 ~10344 LBS
 P/N: PB166-72-72-72

CON-DUCT TERMINATIONS ARE CAST
 INTO BOX SIDEWALLS. 16 PER SIDE
 THEY FIT UP TO 6" PVC PIPE. TO ACCESS
 THE HOLES, BREAK THE PLASTIC SEAL.

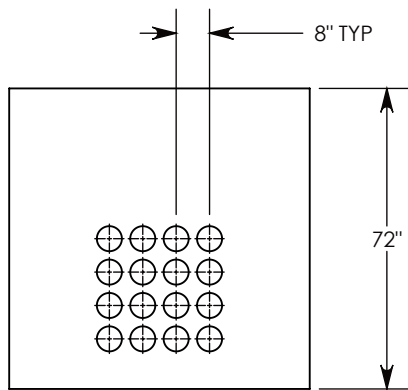
Ø 1/2"-13 UNC INSERT (4X) FOR
 PULLING EYES. LOCATED ON
 BOX INTERIOR (1X PER SIDE)



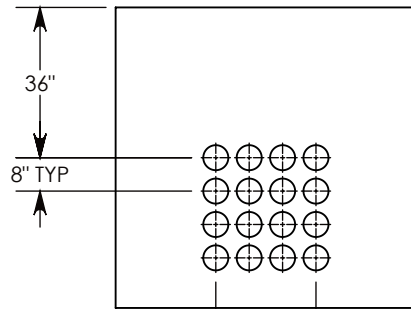
ALUM ID PLATE
 "CONCAST"
 P/N: LTR-ID

COVER SHOWN IN THIS VIEW

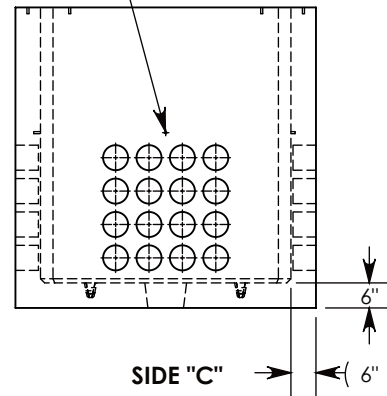
LIFT RING
 SHOWN EXTENDED



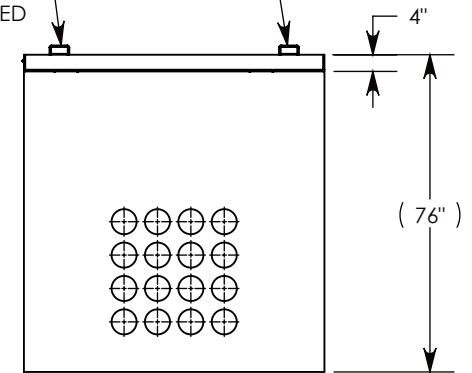
SIDE "A" (HLR)



SIDE "B" (HLR)



SIDE "C"



SIDE "D" HLR

NOTE 1: FOR ADDED SECURITY, PENTA HEAD(P/N: PTA.38-2.5) OR SURELOCK BOLTS (P/N: SL.38-2.5) CAN BE ADDED

AASHTO H-20 RATED - 32,000 LB. SINGLE AXLE LOAD

DRAWN BY: JESSE GUTTING	
CREATED DATE: 6/24/2011	REVISION LEVEL: B
SAVED DATE: 10/22/2020	SAVED BY: jgutting
WEIGHT: 11303 LBS.	MATERIAL: NOTED

CONCAST
 1010 NORTH STAR DRIVE
 P.O. BOX 69
 ZUMBROTA, MN 55992-0069

DESCRIPTION: CONCRETE PULL BOX W/ SPA COVER		SHEET 1 OF 1
DIMENSIONS ARE IN INCHES TOLERANCES: FRACTIONAL: ± 1/8" ANGULAR: ± 2°	CONTACT INFORMATION: EMAIL: INFO@CONCASTINC.COM PHONE: (507) 732-4095 FAX: (507) 732-4094	
PART NUMBER: PB166-72-72-72-SPA		