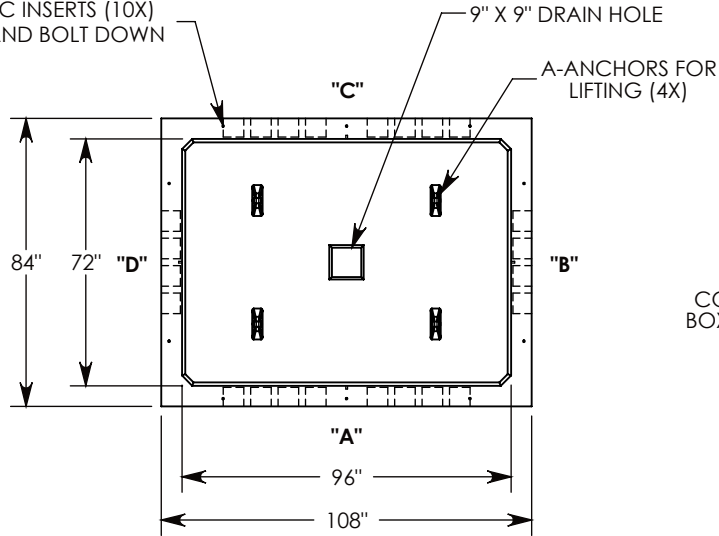


Ø 1/2"-13 UNC INSERTS (10X)
FOR LIFTING AND BOLT DOWN

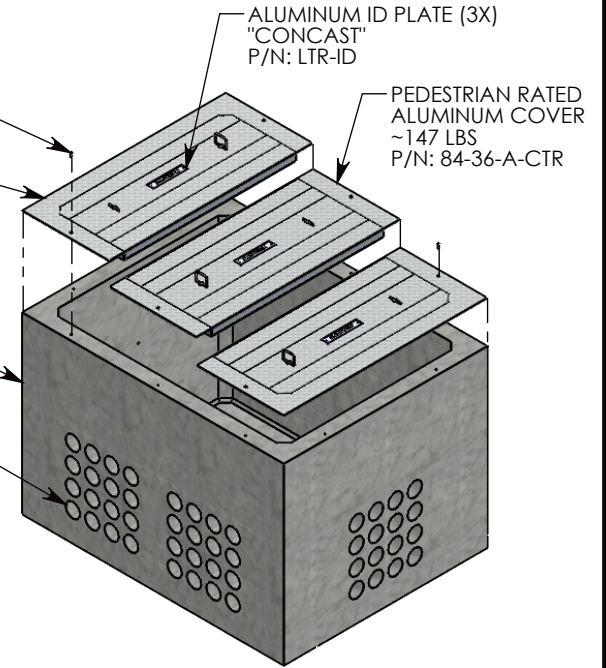


1/2-13 UNC X 1.5" LG HEX HD BOLT (6X)
P/N: HHB.5-1.5

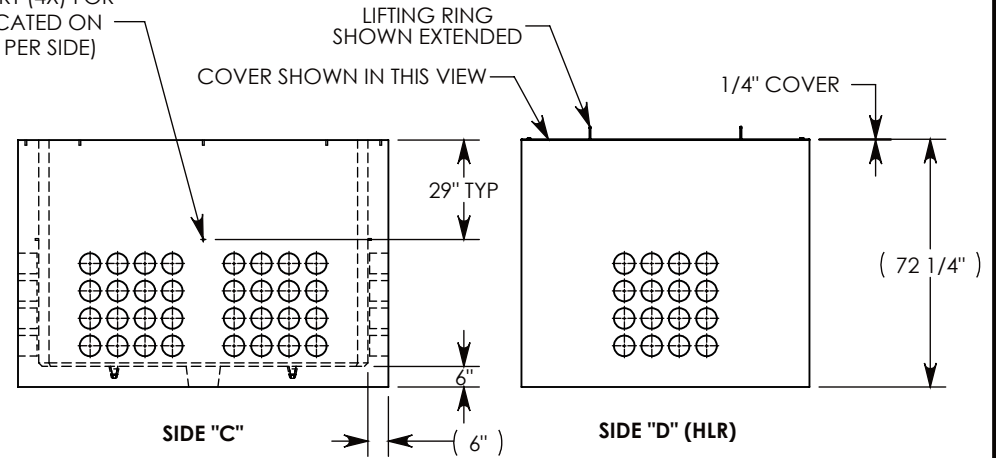
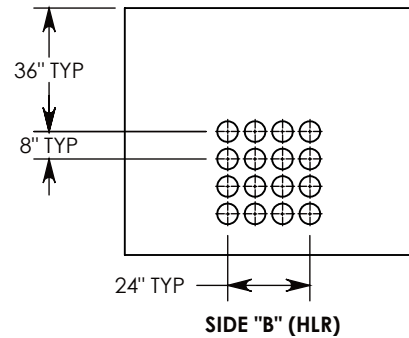
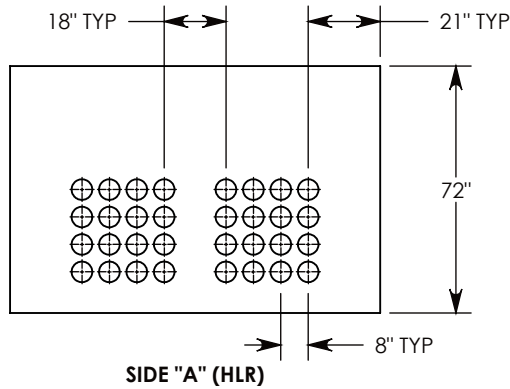
PEDESTRIAN RATED
ALUMINUM COVER (2X)
~135 LBS
P/N: 84-36-A

CONCRETE PULL BOX
~14965 LBS
P/N: PB166-84-108-72

CON-DUCT TERMINATIONS ARE CAST INTO
BOX SIDEWALLS. SETS OF 16 ON EACH SIDE.
THEY FIT UP TO 6" PVC PIPE. TO ACCESS
THE HOLES, BREAK THE PLASTIC SEAL



Ø 1/2"-13 UNC INSERT (4X) FOR
PULLING EYES. LOCATED ON
BOX INTERIOR (1X PER SIDE)



NOTE 1: FOR ADDED SECURITY, PENTA HEAD BOLTS (P/N: PTA.5-1.5) CAN BE ADDED

PEDESTRIAN RATED - 200 LB. PER SQ. FOOT

DRAWN BY: **MALACHI MLINAR**

DATE: **8/23/2018**

REVISION LEVEL: **A**

WEIGHT:

15383 LBS.

MATERIAL:

NOTED



DESCRIPTION:

PULL BOX W/ ALUMINUM COVER

DIMENSIONS ARE IN INCHES
TOLERANCES:
FRACTIONAL: ± 1/8"
ANGULAR: ± 2°

CONTACT INFORMATION:
EMAIL: INFO@CONCASTINC.COM
PHONE: (507) 732-4095
FAX: (507) 732-4094

SHEET 1 OF 1

PART NUMBER:

PB166-84-108-72-A