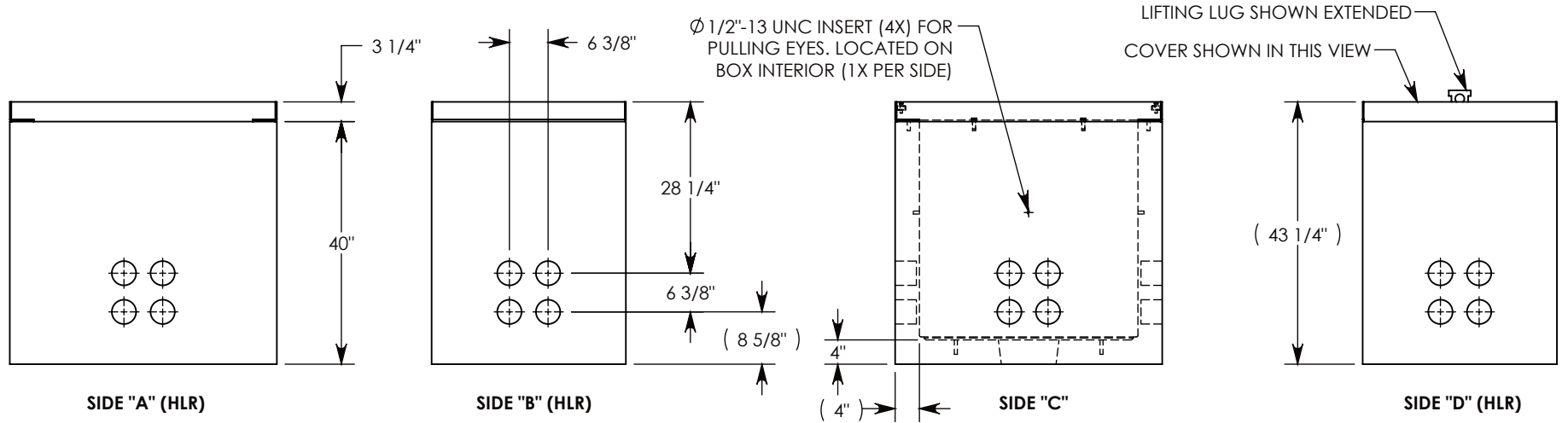


CON-DUCT TERMINATIONS ARE CAST INTO BOX SIDEWALLS. SETS OF 4 ON EACH SIDE. THEY FIT UP TO 4\"/>



NOTE 1: STANDARD DEPTH OF 40\"/>

NOTE 2: FOR PVC SIZES SMALLER THAN 4\"/>

NOTE 3: FOR ADDED SECURITY, PENTA HEAD (P/N: PTA.38-1.5) OR SURELOCK BOLTS (P/N: SL.38-1.25) CAN BE ADDED

AASHTO H-20 RATED – 32,000 LB. SINGLE AXLE LOAD

DRAWN BY: JESSE GUTTING		 1010 NORTH STAR DRIVE P.O. BOX 69 ZUMBROTA, MN 55992-0069	DESCRIPTION: CONCRETE PULL BOX W/ RSG COVER		
CREATED DATE: 4/6/2020	REVISION LEVEL: 0		DIMENSIONS ARE IN INCHES	CONTACT INFORMATION:	SHEET 1 OF 1
SAVED DATE: 4/20/2020	SAVED BY: jgutting		TOLERANCES: FRACTIONAL: $\pm 1/8"$ ANGULAR: $\pm 2^\circ$	EMAIL: INFO@CONCASTINC.COM PHONE: (507) 732-4095 FAX: (507) 732-4094	
WEIGHT: 2231 LBS.	MATERIAL: NOTED		PART NUMBER: PB4-32-44-40-RSG		