

3/8-16 UNC X 2.5" LG HEX HD BOLT (2X)
P/N: HHB.38-2.5

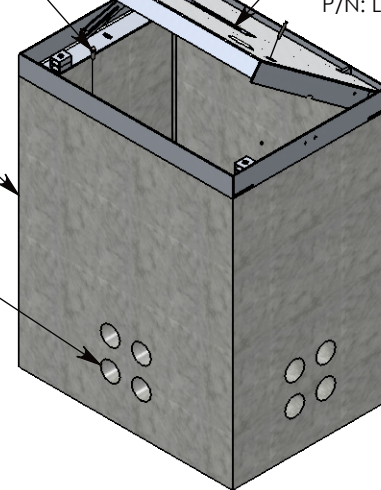
1/2-13 UNC X 1.5" LG HEX HD BOLT (4X)
P/N: HHB.5-1.5

BOLT DOWN ALUMINUM FRAME & HA COVER
~92 LBS.
P/N: 32-44-HA

ALUM ID PLATE "CONCAST"
P/N: LTR-ID

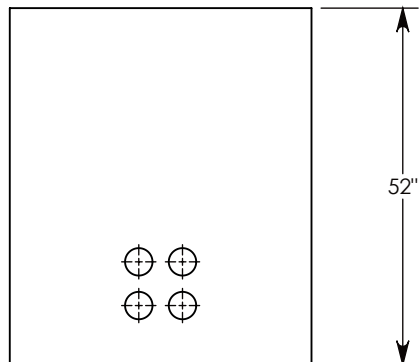
CONCRETE PULL BOX
~2517 LBS
P/N: PB4-32-44-52

CON-DUCT TERMINATIONS ARE CAST INTO BOX SIDEWALLS. SETS OF 4 ON EACH SIDE. THEY FIT UP TO 4" PVC PIPE. TO ACCESS THE HOLES, BREAK THE PLASTIC SEAL

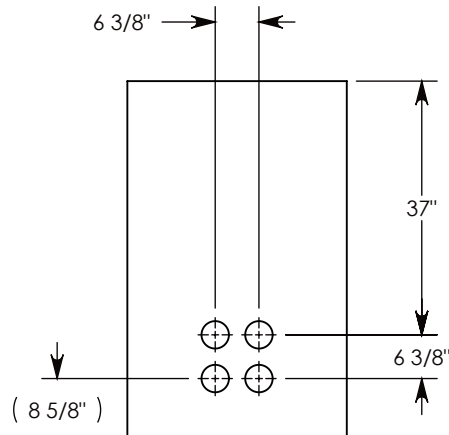


Ø 1/2"-13 UNC INSERT (4X) FOR PULLING EYES. LOCATED ON BOX INTERIOR (1X PER SIDE)

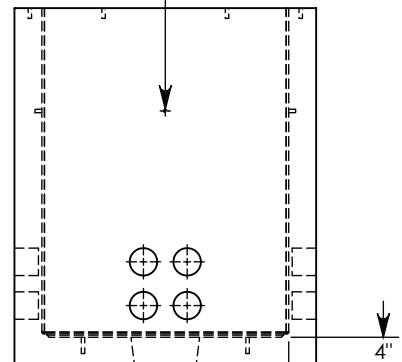
LIFT RING SHOWN EXTENDED
COVER SHOWN IN THIS VIEW



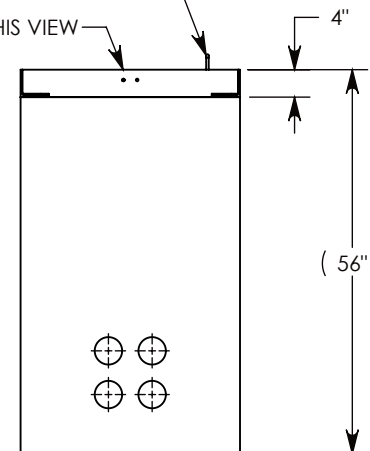
SIDE "A" (HLR)



SIDE "B" (HLR)



SIDE "C"



SIDE "D" (HLR)

NOTE 1: STANDARD DEPTH OF 52" IS SHOWN. OTHER DEPTHS ARE AVAILABLE UPON REQUEST.
NOTE 2: FOR PVC SIZES SMALLER THAN 4", USE CONCAST RC41 (REDUCING COUPLER).
NOTE 3: FOR ADDED SECURITY, PENTA HEAD (P/N: PTA.38-2.5) OR SURELOCK BOLTS (P/N: SL.38-2.5) CAN BE ADDED

PEDESTRIAN RATED - 200 LB. PER SQ. FOOT

DRAWN BY: JESSE GUTTING	
CREATED DATE: 4/20/2020	REVISION LEVEL: 0
SAVED DATE: 4/21/2020	SAVED BY: jgutting
WEIGHT: 2609 LBS.	MATERIAL: NOTED

1010 NORTH STAR DRIVE
P.O. BOX 69
ZUMBROTA, MN 55992-0069

DESCRIPTION: PULL BOX W/ HINGED ALUMINUM COVER	
DIMENSIONS ARE IN INCHES TOLERANCES: FRACTIONAL: ± 1/8" ANGULAR: ± 2°	CONTACT INFORMATION: EMAIL: INFO@CONCASTINC.COM PHONE: (507) 732-4095 FAX: (507) 732-4094
PART NUMBER: PB4-32-44-52-HA	
SHEET 1 OF 1	