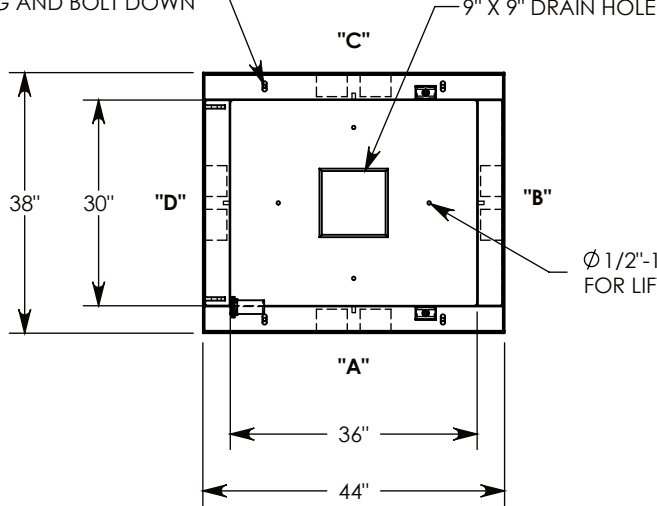


Ø 1/2"-13 UNC INSERTS (4X)
FOR LIFTING AND BOLT DOWN



1/2-13 UNC X 1.5" LG HEX HD BOLT (4X)
P/N: HHB.5-1.5

3/8-16 UNC X 1.5" LG HEX HD BOLT (2X)
P/N: HHB.38-1.5

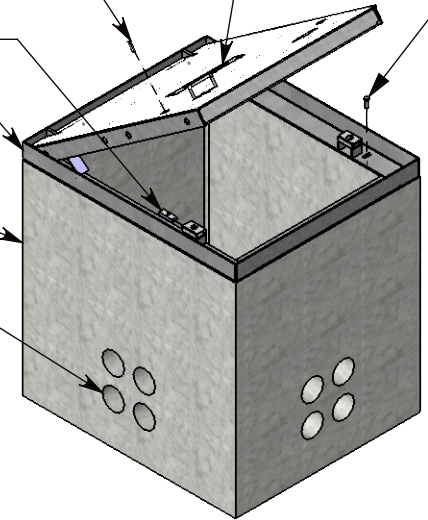
ALUM ID PLATE
"CONCAST"
P/N: LTR-ID

AL. FLOATING NUT; 2-3/4" X 1 X .5" THICK (2X)
P/N: FLT-NUT-3

BOLT-DOWN STEEL GALV. FRAME & SPA COVER
~298 LBS
P/N: 38-44-SPA

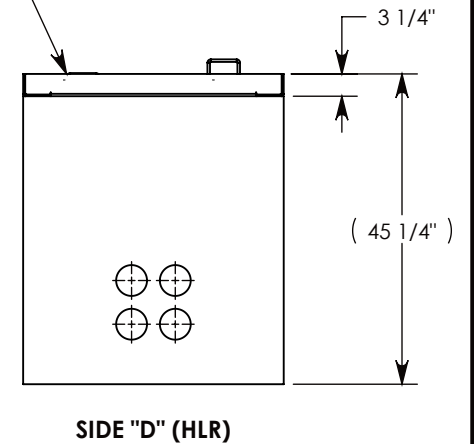
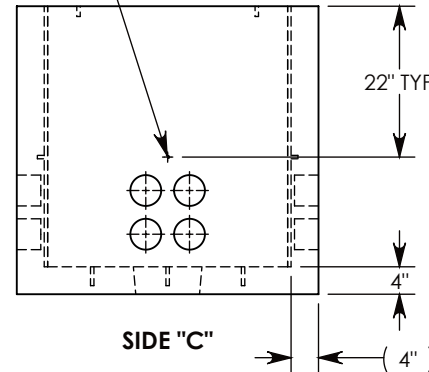
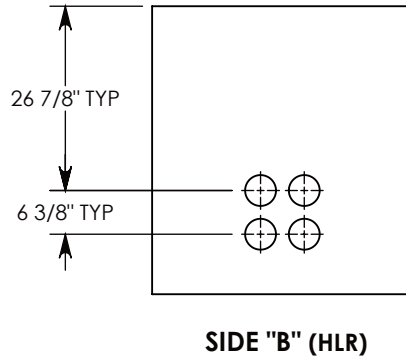
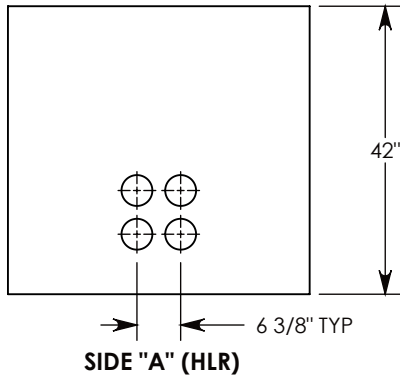
CONCRETE PULL BOX
~2287 LBS
P/N: PB4-38-44-42

CON-DUCT TERMINATIONS ARE CAST
INTO BOX SIDEWALLS. 4 PER SIDE (4X)
THEY FIT UP TO 4" PVC PIPE. TO ACCESS
THE HOLES, BREAK THE PLASTIC SEAL



Ø 1/2"-13 UNC INSERT (4X) FOR
PULLING EYES. LOCATED ON
BOX INTERIOR (1X PER SIDE)

COVER SHOWN IN THIS VIEW
(CLOSED)



NOTE 1: FOR PVC SIZES SMALLER THAN 4", USE CONCAST RC41 (REDUCING COUPLER)

AASHTO H-20 RATED - 32,000 LB. SINGLE AXLE LOAD

DRAWN BY: **MALACHI MLINAR**

DATE: **6/20/2019**

REVISION LEVEL: **B**

WEIGHT:

2579 LBS.

MATERIAL:

NOTED



DESCRIPTION:

CONCRETE PULL BOX W/ SPA COVER

DIMENSIONS ARE IN INCHES

TOLERANCES:
FRACTIONAL: ± 1/8"
ANGULAR: ± 2°

CONTACT INFORMATION:

EMAIL: INFO@CONCASTINC.COM
PHONE: (507) 732-4095
FAX: (507) 732-4094

SHEET 1 OF 1

PART NUMBER:

PB4-38-44-42-SPA