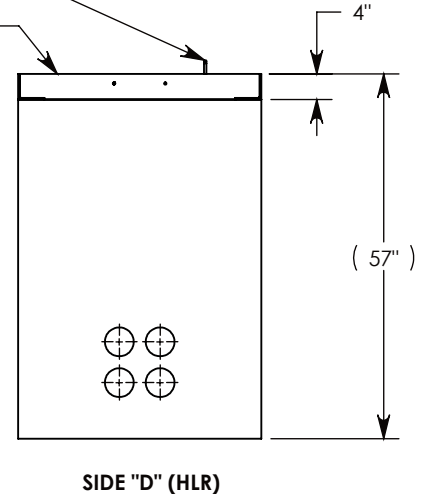
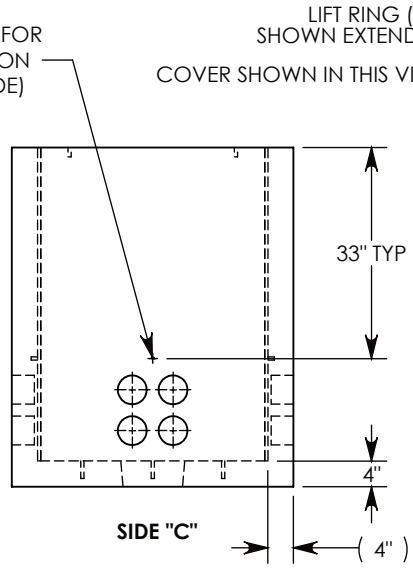
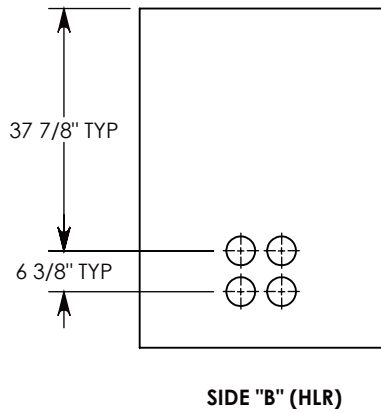
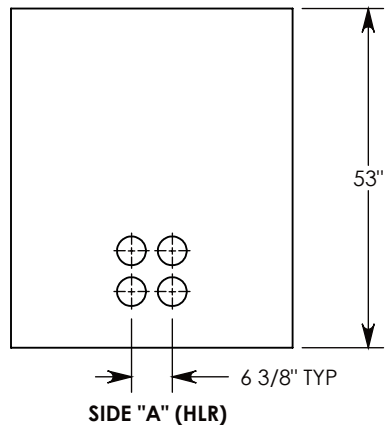


Ø 1/2"-13 UNC INSERTS (4X) FOR LIFTING AND BOLT DOWN

Ø 1/2"-13 UNC INSERTS (4X) FOR LIFTING AND PULLING

Ø 1/2"-13 UNC INSERT (4X) FOR PULLING EYES. LOCATED ON BOX INTERIOR (1X PER SIDE)

LIFT RING (2X) SHOWN EXTENDED COVER SHOWN IN THIS VIEW



NOTE 1: FOR PVC SIZES SMALLER THAN 4", USE CONCAST RC41 (REDUCING COUPLER).
NOTE 2: FOR ADDED SECURITY, PENTA HEAD (P/N: PTA.38-2.5) OR SURELOCK BOLTS (P/N: SL.38-2.5) CAN BE ADDED

AASHTO H-10 RATED – 16,000 LB. SINGLE AXLE LOAD

DRAWN BY: MALACHI MLINAR	
DATE: 3/22/2019	REVISION LEVEL: 0
WEIGHT: 2950 LBS.	MATERIAL: NOTED

1010 NORTH STAR DRIVE
P.O. BOX 69
ZUMBROTA, MN 55992-0069

DESCRIPTION: CONCRETE PULL BOX W/ HALT COVER		
DIMENSIONS ARE IN INCHES TOLERANCES: FRACTIONAL: ± 1/8" ANGULAR: ± 2°	CONTACT INFORMATION: EMAIL: INFO@CONCASTINC.COM PHONE: (507) 732-4095 FAX: (507) 732-4094	SHEET 1 OF 1
PART NUMBER: PB4-38-44-53-HALT		