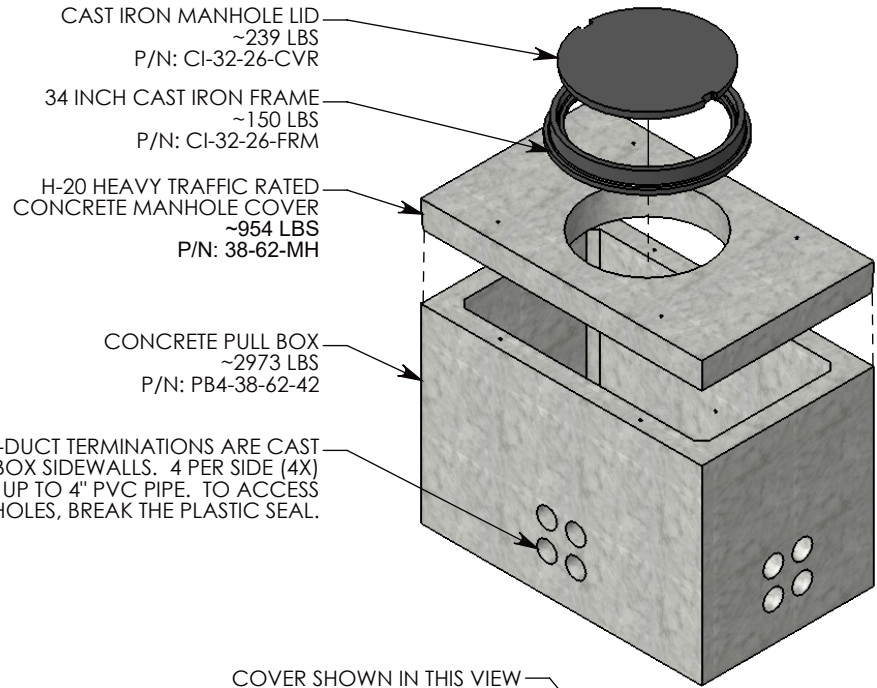
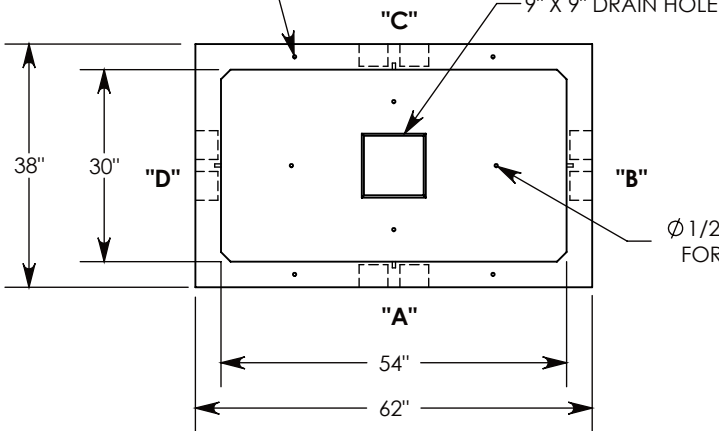


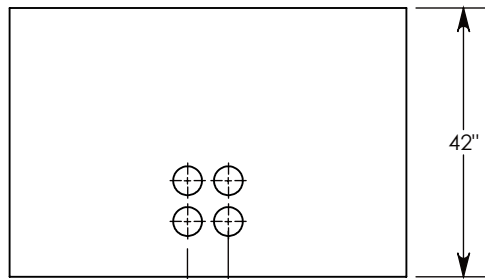
Ø 1/2"-13 UNC INSERTS (4X)
FOR LIFTING AND BOLT DOWN



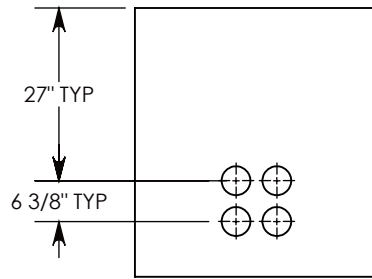
Ø 1/2"-13 UNC INSERT (4X)
FOR LIFTING & PULLING

CONDUCT TERMINATIONS ARE CAST INTO BOX SIDEWALLS. 4 PER SIDE (4X) THEY FIT UP TO 4\"/>

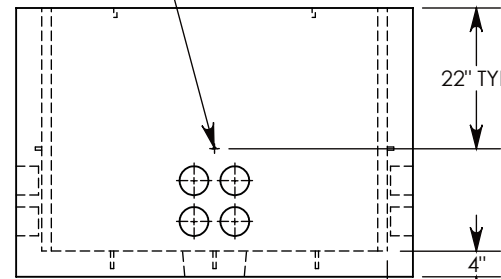
Ø 1/2"-13 UNC INSERT (4X) FOR PULLING EYES. LOCATED ON BOX INTERIOR (1X PER SIDE)



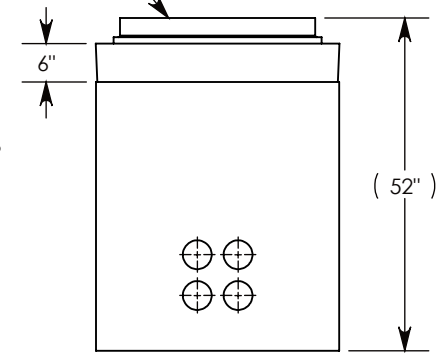
SIDE "A" (HLR)



SIDE "B" (HLR)



SIDE "C"



SIDE "D" (HLR)

NOTE 1: FOR PVC SIZES SMALLER THAN 4", USE CONCAST RC41 (REDUCING COUPLER).

AASHTO H-20 RATED - 32,000 LB. SINGLE AXLE LOAD

DRAWN BY: ROBIN FLINT	
DATE: 5/24/2018	REVISION LEVEL: B
WEIGHT: 4316 LBS. W/COVER	MATERIAL: NOTED



CONCAST
1010 NORTH STAR DRIVE
P.O. BOX 69
ZUMBROTA, MN 55992-0069

DESCRIPTION: PULL BOX W/MANHOLE COVER		
DIMENSIONS ARE IN INCHES TOLERANCES: FRACTIONAL: ± 1/8" ANGULAR: ± 2°	CONTACT INFORMATION: EMAIL: INFO@CONCASTINC.COM PHONE: (507) 732-4095 FAX: (507) 732-4094	SHEET 1 OF 1
PART NUMBER: PB4-38-62-42-MH		