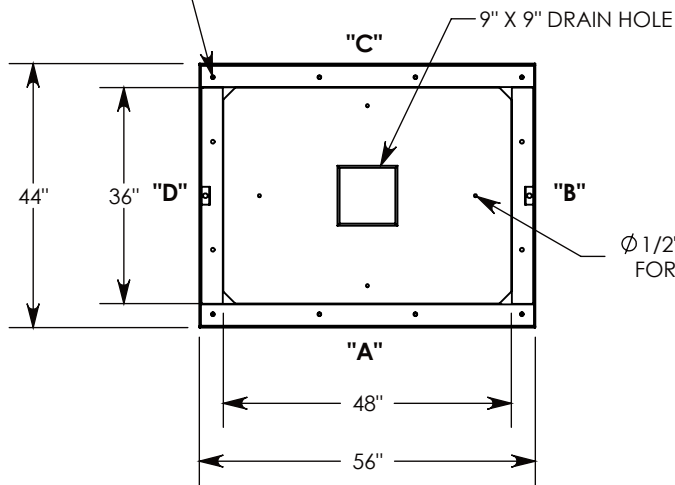


Ø 1/2"-13 UNC INSERTS (4X)
 FOR LIFTING AND BOLT DOWN



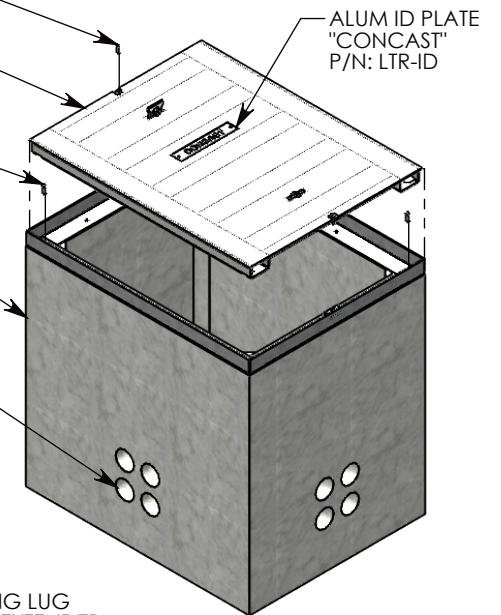
3/8-16 UNC X 1.5" LG HEX HD BOLT
 P/N: HHB.38-1.5 (2X)

H-20 HEAVY TRAFFIC RATED
 GALVANIZED STEEL COVER
 ~340 LBS
 P/N: 44-56-RSG

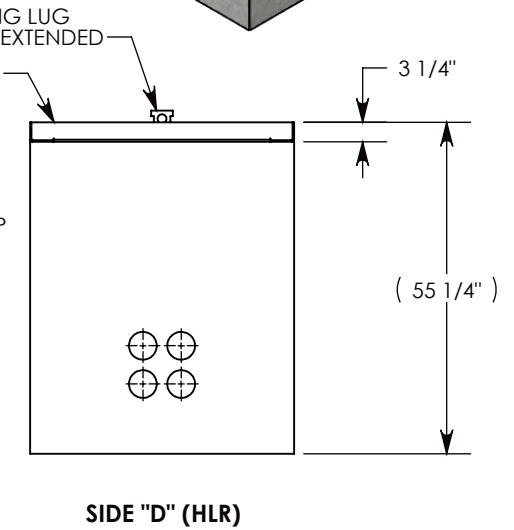
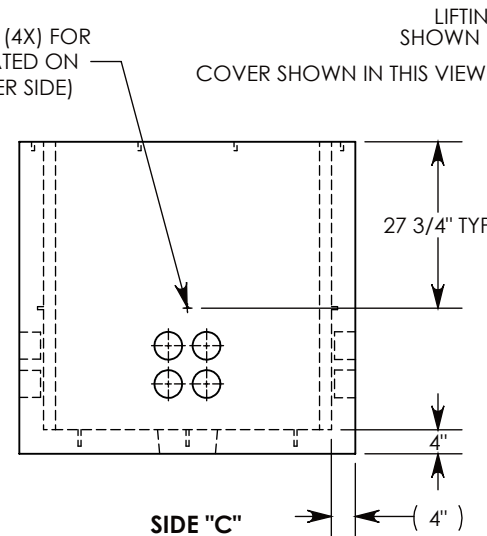
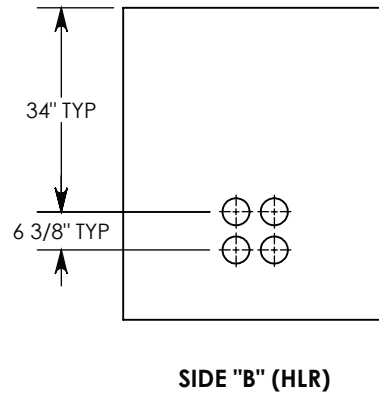
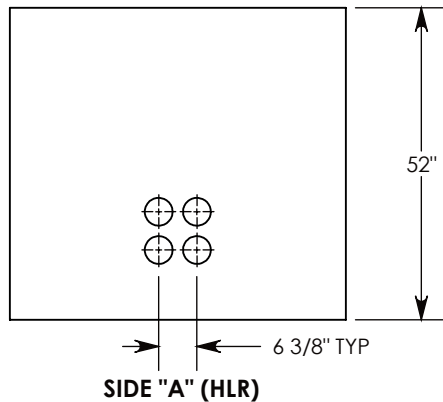
1/2-13 UNC X 1.5" LG HEX HD BOLT
 P/N: HHB.5-1.5 (4X)

CONCRETE PULL BOX
 ~3625 LBS
 P/N: PB4-44-56-52

CON-DUCT TERMINATIONS ARE CAST
 INTO BOX SIDEWALLS. 4 PER SIDE (4X)
 THEY FIT UP TO 4" PVC PIPE. TO ACCESS
 THE HOLES, BREAK THE PLASTIC SEAL



Ø 1/2"-13 UNC INSERT (4X) FOR
 PULLING EYES. LOCATED ON
 BOX INTERIOR (1X PER SIDE)



NOTE 1: FOR PVC SIZES SMALLER THAN 4", USE CONCAST RC41 (REDUCING COUPLER)
NOTE 2: FOR ADDED SECURITY, PENTA HEAD (P/N: OR SURELOCK BOLTS (P/N: SL.38-1.25) CAN BE ADDED

DRAWN BY: ROBIN FLINT

DATE: 3/14/2019

REVISION LEVEL: B

4053 LBS. W/COVER
WEIGHT:

MATERIAL:
NOTED



DESCRIPTION:

PULL BOX W/ GALV. STEEL COVER

DIMENSIONS ARE IN INCHES
 TOLERANCES:
 FRACTIONAL: ± 1/8"
 ANGULAR: ± 2°

CONTACT INFORMATION:
 EMAIL: INFO@CONCASTINC.COM
 PHONE: (507) 732-4095
 FAX: (507) 732-4094

SHEET 1 OF 1

PART NUMBER:

PB4-44-56-52-RSG