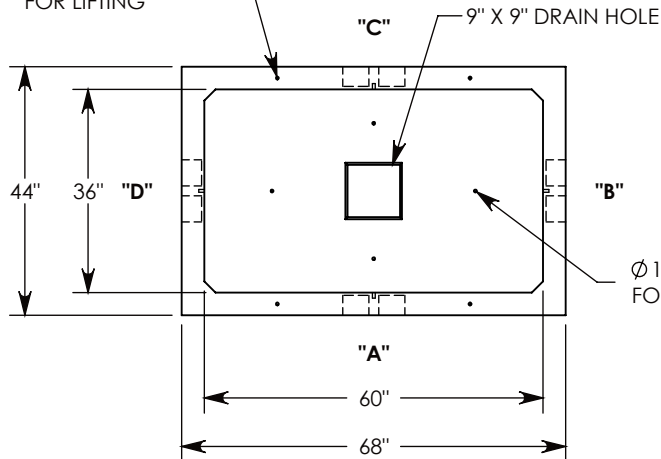


Ø 1/2"-13 UNC INSERTS (4X)  
FOR LIFTING



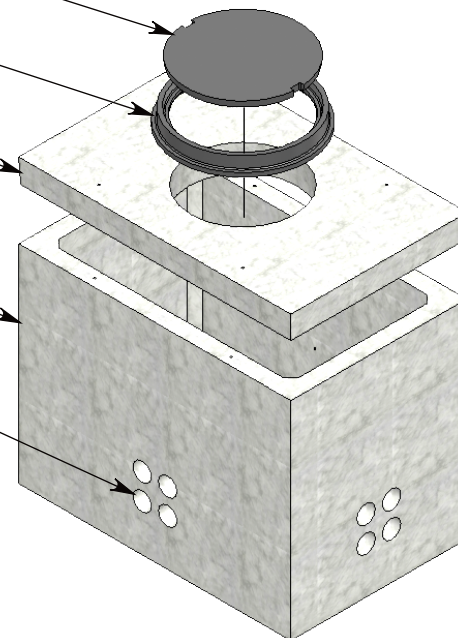
CAST IRON MANHOLE LID  
~239 LBS  
P/N: CI-32-26-CVR

34 INCH CAST IRON RAME  
~150 LBS  
P/N: CI-32-26-FRM

H-20 HEAVY TRAFFIC RATED  
CONCRETE MANHOLE COVER  
~1309 LBS  
P/N: 44-68-MH

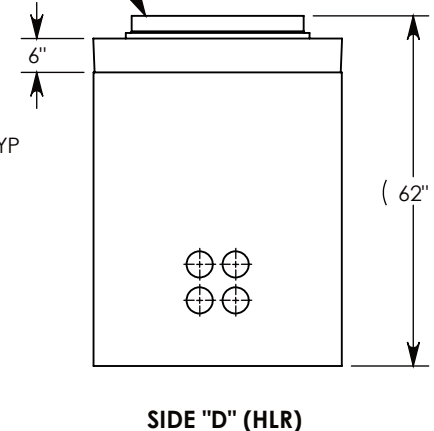
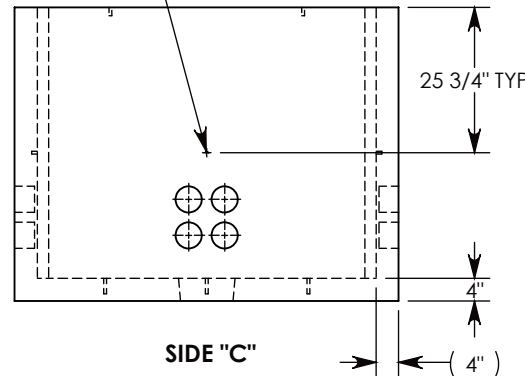
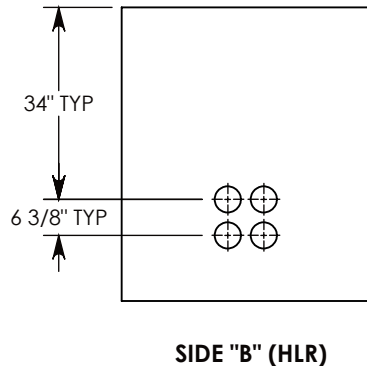
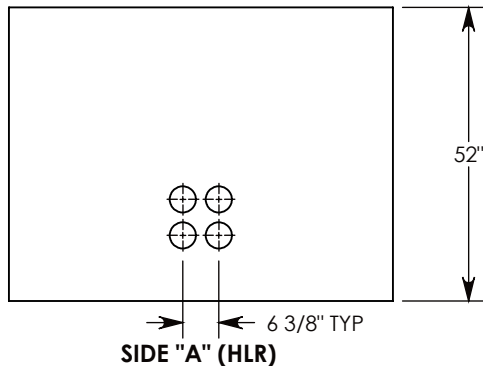
CONCRETE PULL BOX  
~4174 LBS  
P/N: PB4-44-68-52

CON-DUCT TERMINATIONS ARE CAST  
INTO BOX SIDEWALLS. 4 PER SIDE (4X)  
THEY FIT UP TO 4" PVC PIPE. TO ACCESS  
THE HOLES, BREAK THE PLASTIC SEAL



Ø 1/2"-13 UNC INSERT (4X) FOR  
PULING EYES. LOCATED ON  
BOX INTERIOR (1X PER SIDE)

COVER SHOWN IN THIS VIEW



NOTE 1: FOR PVC SIZES SMALLER THAN 4", USE CONCAST RC41 (REDUCING COUPLER)

AASHTO H-20 RATED - 32,000 LB. SINGLE AXLE LOAD

DRAWN BY: **MALACHI MLINAR**

DATE: **8/1/2018**

REVISION LEVEL: **A**

WEIGHT:

**5872 LBS. W/ COVERS**

MATERIAL:

**NOTED**



DESCRIPTION:

**PULL BOX W/ MANHOLE COVER**

DIMENSIONS ARE IN INCHES  
TOLERANCES:  
FRACTIONAL: ± 1/8"  
ANGULAR: ± 2°

CONTACT INFORMATION:  
EMAIL: [INFO@CONCASTINC.COM](mailto:INFO@CONCASTINC.COM)  
PHONE: (507) 732-4095  
FAX: (507) 732-4094

SHEET 1 OF 1

PART NUMBER:

**PB4-44-68-52-MH**