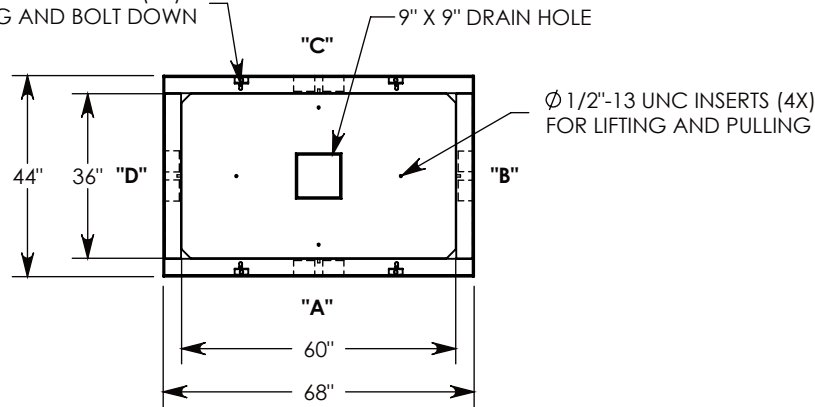


Ø 1/2"-13 UNC INSERTS (4X)
FOR LIFTING AND BOLT DOWN



3/8-16 UNC X 1.5" LG HEX HD BOLT
P/N: HHB.38-1.5 (4X)

H-20 HEAVY TRAFFIC RATED
GALVINIZED STEEL COVER
~184 LBS
P/N: 44-34-RSG

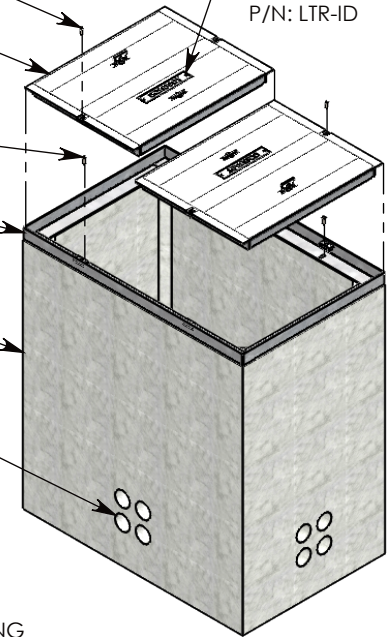
1/2-13 UNC X 1.5" LG HEX HD BOLT
P/N: HHB.5-1.5 (4X)

BOLT DOWN GALV. STEEL FRAME
~105 LBS
P/N: 44-68-FRM

CONCRETE PULL BOX
~5551 LBS
P/N: PB4-44-68-72

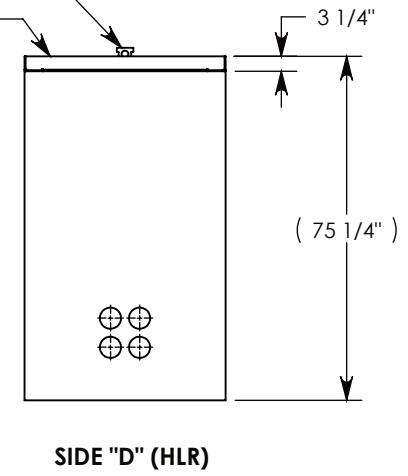
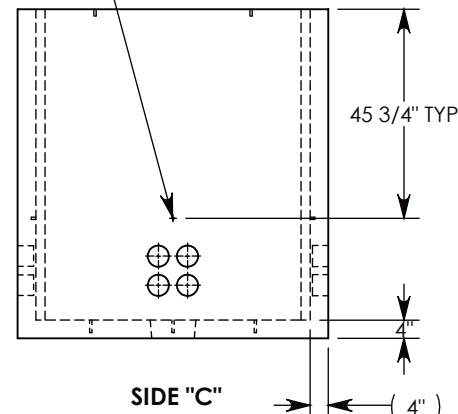
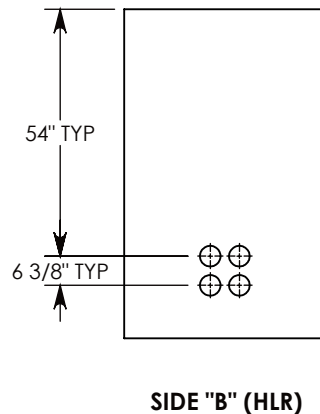
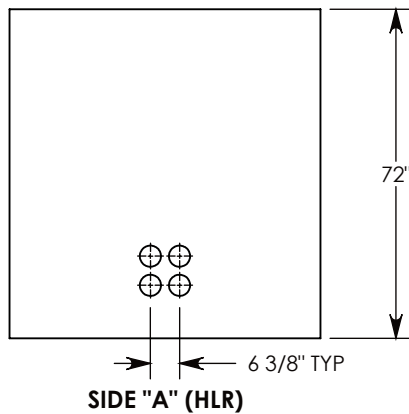
CON-DUCT TERMINATIONS ARE CAST
INTO BOX SIDEWALLS. 4 PER SIDE (4X)
THEY FIT UP TO 4" PVC PIPE. TO ACCESS
THE HOLES, BREAK THE PLASTIC SEAL

ALUMINUM ID PLATE
"CONCAST"
P/N: LTR-ID



Ø 1/2"-13 UNC INSERTS (4X) FOR
PULLING EYES. LOCATED ON
BOX INTERIOR (1X PER SIDE)

LIFTING RING
SHOWN EXTENDED
COVER SHOWN IN THIS VIEW



NOTE 1: FOR PVC SIZES SMALLER THAN 4", USE CONCAST RC41 (REDUCING COUPLER)

NOTE 2: FOR ADDED SECURITY, PENTA HEAD (P/N: PTA.38-1.5) OR SURELOCK BOLTS (P/N: SL.38-1.25) CAN BE ADDED

AASHTO H-20 RATED - 32,000 LB. SINGLE AXLE LOAD

DRAWN BY: MALACHI MLINAR

DATE: 8/1/2018

REVISION LEVEL: A

WEIGHT:

MATERIAL:

6024 LBS. W/ COVERS

NOTED



DESCRIPTION:

PULL BOX W/ GALV. STEEL COVER

DIMENSIONS ARE IN INCHES
TOLERANCES:
FRACTIONAL: ± 1/8"
ANGULAR: ± 2°

CONTACT INFORMATION:
EMAIL: INFO@CONCASTINC.COM
PHONE: (507) 732-4095
FAX: (507) 732-4094

SHEET 1 OF 1

PART NUMBER:

PB4-44-68-72-RSG