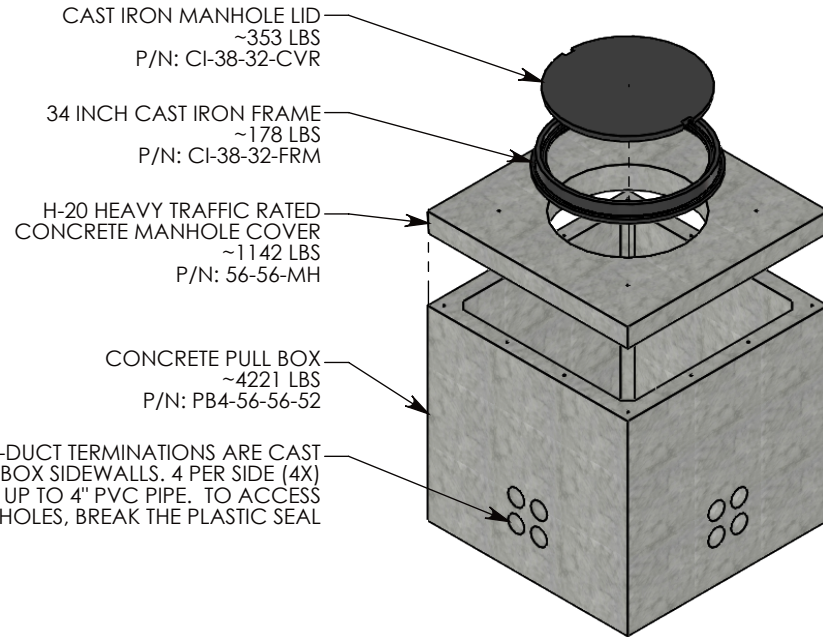
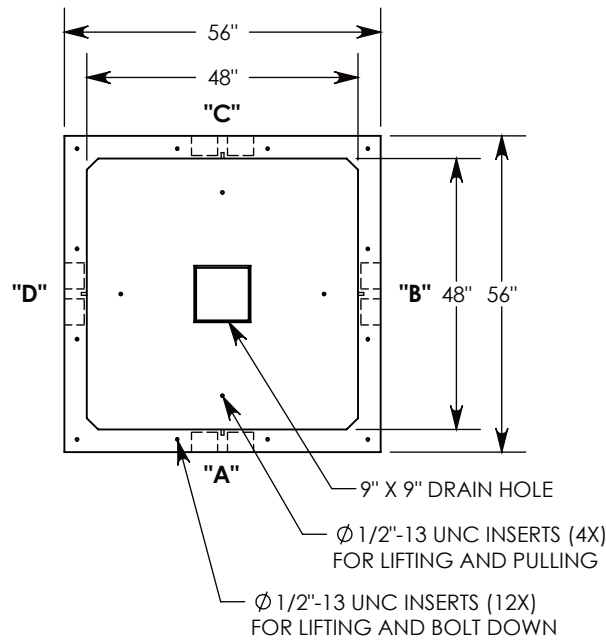
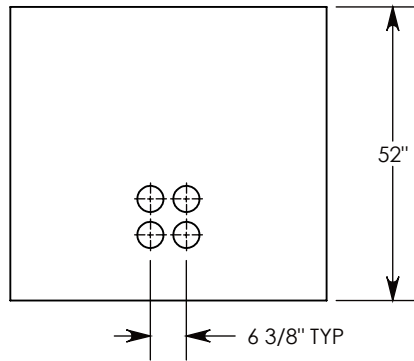


REV. B - MKM - 6/4/2018 - UPDATED NOTES & DIMENSIONS  
 REV. C - SIC - 10/9/2019 - 1/2"-13 UNC BOLT DOWN INSERTS, QTY: 12 WAS QTY: 4; MANHOLE COVER IS 5 1/2", WAS 6"

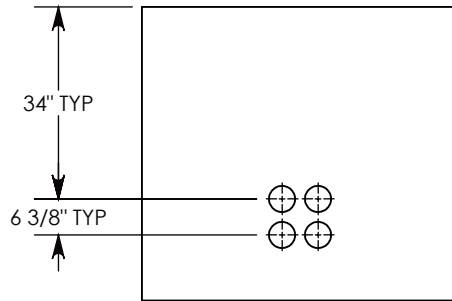


CON-DUCT TERMINATIONS ARE CAST INTO BOX SIDEWALLS. 4 PER SIDE (4X) THEY FIT UP TO 4" PVC PIPE. TO ACCESS THE HOLES, BREAK THE PLASTIC SEAL

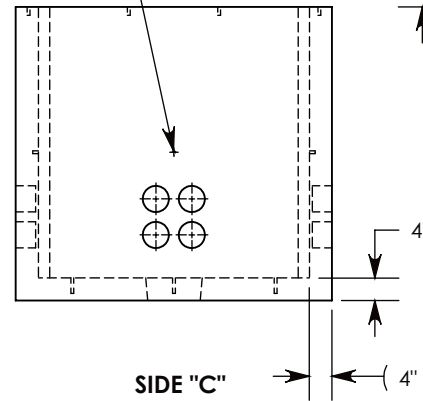
Ø 1/2"-13 UNC INSERT (4X) FOR PULLING EYES. LOCATED ON BOX INTERIOR (1X PER SIDE)



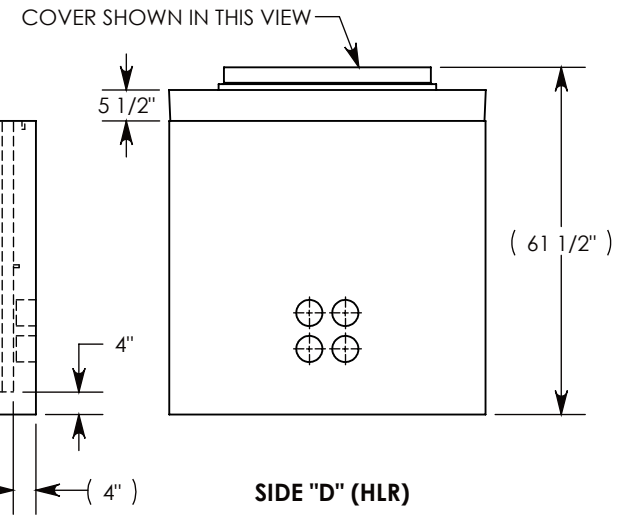
SIDE "A" (HLR)



SIDE "B" (HLR)



SIDE "C"



SIDE "D" (HLR)

NOTE 1: FOR PVC SIZES SMALLER THAN 4", USE CONCAST RC41 (REDUCING COUPLER).

AASHTO H-20 RATED - 32,000 LB. SINGLE AXLE LOAD

<b>DRAWN BY:</b> ROBIN FLINT	
<b>CREATED DATE:</b> 3/26/2010	<b>REVISION LEVEL:</b> C
<b>SAVED DATE:</b> 10/9/2019	<b>SAVED BY:</b> scallahan
<b>WEIGHT:</b> 5894 LBS.	<b>MATERIAL:</b> NOTED



1010 NORTH STAR DRIVE  
 P.O. BOX 69  
 ZUMBROTA, MN 55992-0069

<b>DESCRIPTION:</b> PULL BOX W/ MANHOLE COVER		SHEET 1 OF 1
DIMENSIONS ARE IN INCHES TOLERANCES: FRACTIONAL: ± 1/8" ANGULAR: ± 2°	CONTACT INFORMATION: EMAIL: INFO@CONCASTINC.COM PHONE: (507) 732-4095 FAX: (507) 732-4094	
<b>PART NUMBER:</b> PB4-56-56-52-MH		