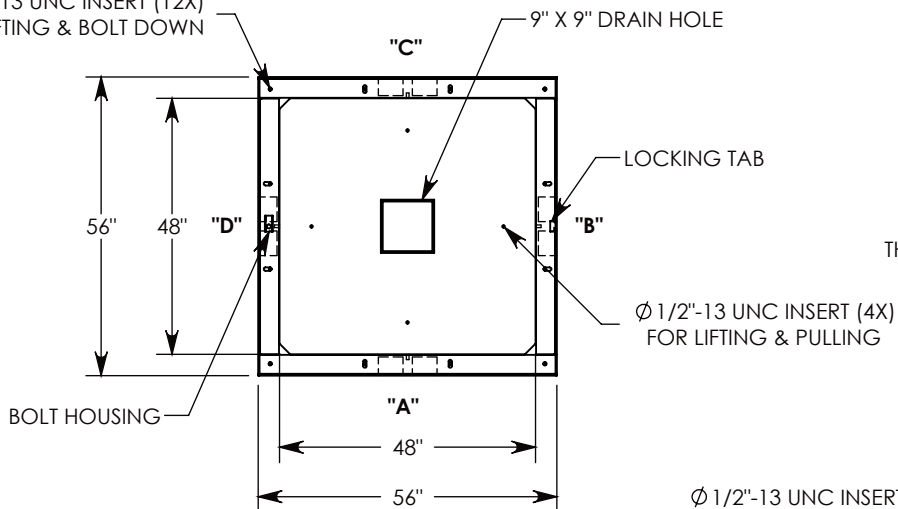


**PADLOCK SPECS**

Ø 1/2"-13 UNC INSERT (12X)  
FOR LIFTING & BOLT DOWN



3/8"-16 UNC X 2-1/2" LG SURELCOK SS BOLT  
P/N: SL.38-2.5

ACCESS COVER PLATE  
P/N: AC-VC2

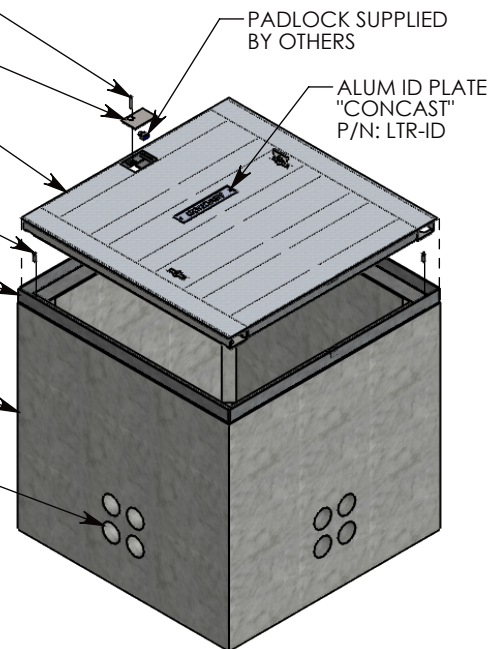
H-20 HEAVY TRAFFIC RATED  
GALVANIZED STEEL COVER  
~418 LBS  
P/N: 56-56-RSGSLP

1/2"-13 UNC X 1.5" LG HEX HD BOLT (4X)  
P/N: HHB.5-1.5

BOLT-DOWN GALV. STEEL FRAME  
~104 LBS  
P/N: 56-56-FRM

CONCRETE PULL BOX  
~4221 LBS  
P/N: PB4-56-56-52

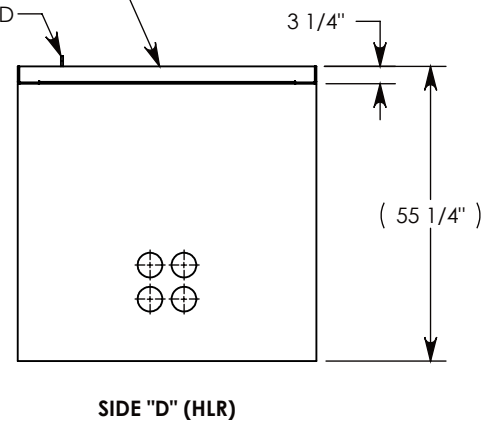
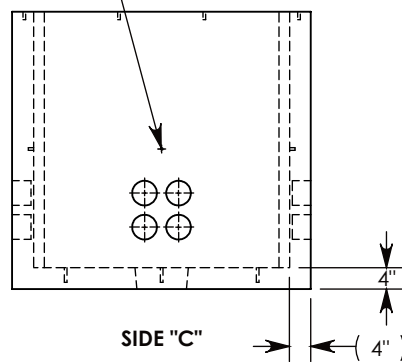
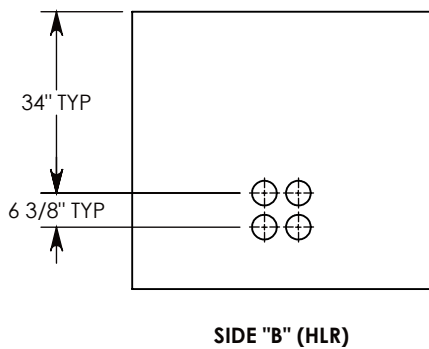
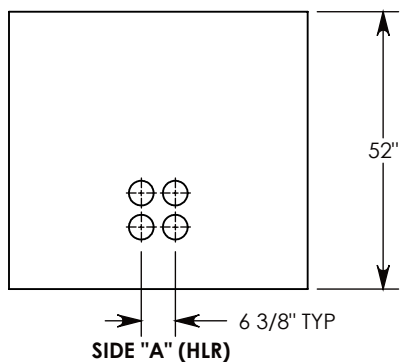
CON-DUCT TERMINATIONS ARE CAST  
INTO BOX SIDEWALLS. 4 PER SIDE (4X)  
THEY FIT UP TO 4" PVC PIPE. TO ACCESS  
THE HOLES, BREAK THE PLASTIC SEAL



Ø 1/2"-13 UNC INSERT (4X) FOR  
PULLING EYES. LOCATED ON  
BOX INTERIOR (1X PER SIDE)

COVER SHOWN IN THIS VIEW

LIFTING LUG SHOWN EXTENDED



**NOTE 1:** FOR PVC SIZES SMALLER THAN 4", USE CONCAST RC41 (REDUCING COUPLER)

AASHTO H-20 RATED - 32,000 LB. SINGLE AXLE LOAD

**DRAWN BY:** MALACHI MLINAR

**CREATED DATE:** 9/20/2018

**REVISION LEVEL:** A

**SAVED DATE:** 10/9/2019

**SAVED BY:** scallahan

**WEIGHT:**  
4744 LBS.

**MATERIAL:**  
NOTED



**DESCRIPTION:**

**PULL BOX W/ GALV. STEEL COVER**

DIMENSIONS ARE IN INCHES  
TOLERANCES:  
FRACTIONAL: ± 1/8"  
ANGULAR: ± 2°

CONTACT INFORMATION:  
EMAIL: INFO@CONCASTINC.COM  
PHONE: (507) 732-4095  
FAX: (507) 732-4094

SHEET 1 OF 1

**PART NUMBER:**

**PB4-56-56-52-RSGSLP**