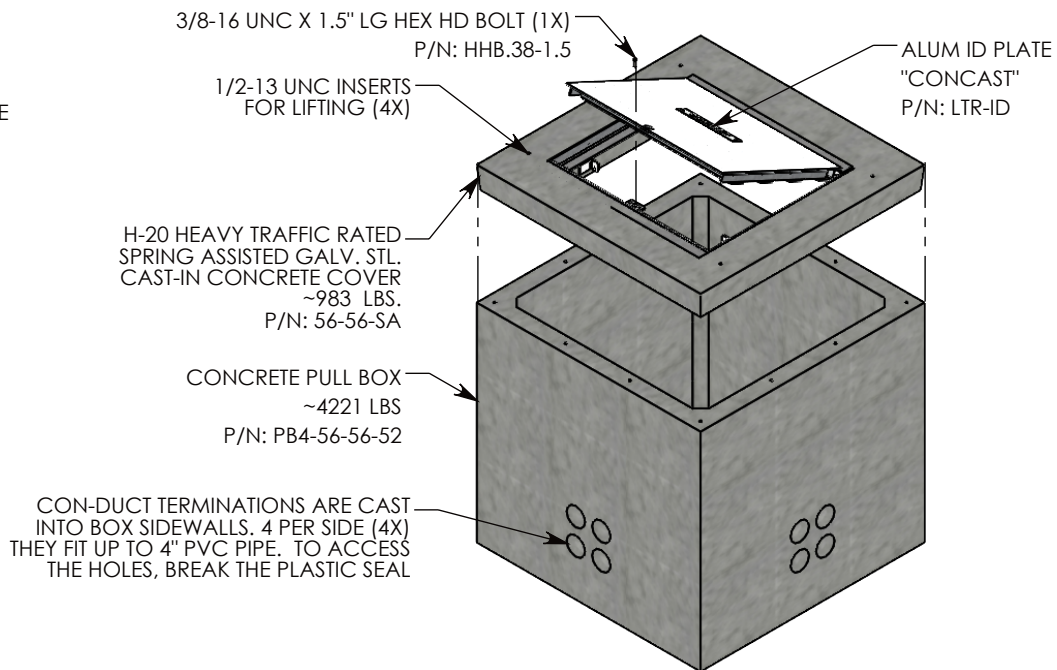
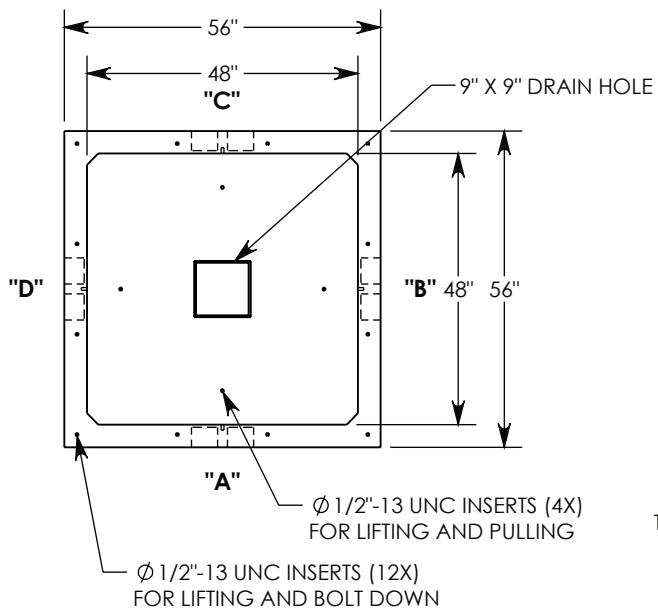
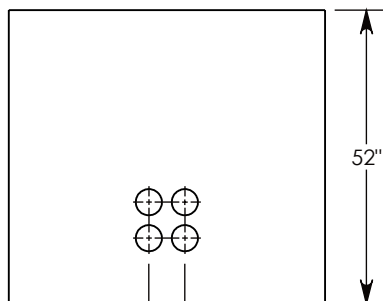


REV. A - SIC - 10/9/2019 - 1/2"-13 UNC BOLT DOWN INSERTS, QTY: 12 WAS QTY: 4; UPDATED VIEWS

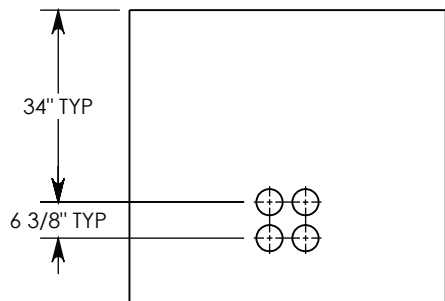
REV. B - SIC - 10/10/2023 - 56-56-SA COVER DESIGN UPDATED; 56-56-SA COVER WEIGHT CHANGED TO 983 LBS, WAS 1,109 LBS; OVERALL HEIGHT CHANGED TO 57 1/2", WAS 58"; OVERALL ASSEMBLY WEIGHT CHANGED TO 5,205 LBS, WAS 5,332 LBS; ADDED BOLT CALLOUT AND OPEN COVER VIEW



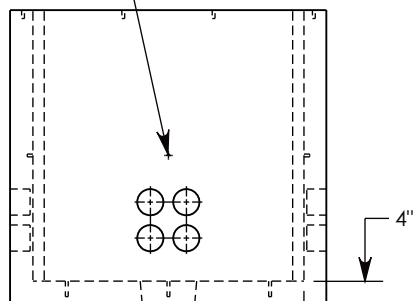
Ø 1/2"-13 UNC INSERT (4X) FOR PULLING EYES. LOCATED ON BOX INTERIOR (1X PER SIDE)



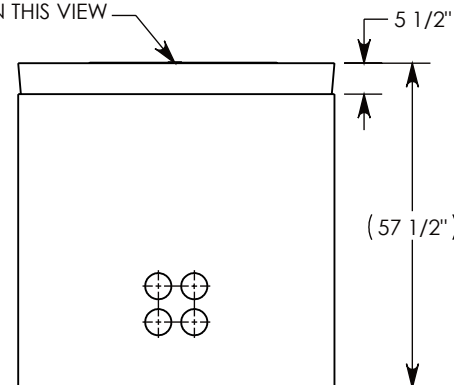
SIDE "A" (HLR)



SIDE "B" (HLR)



SIDE "C"



SIDE "D" (HLR)

NOTE 1: FOR PVC SIZES SMALLER THAN 4", USE CONCAST RC41 (REDUCING COUPLER).

AASHTO H-20 RATED – 32,000 LB. SINGLE AXLE LOAD

DRAWN BY: ROBIN FLINT

CREATED DATE: 3/26/2010

REVISION LEVEL: B

SAVED DATE: 10/10/2023

SAVED BY: scallahan

WEIGHT:
5205 LBS.

MATERIAL:
NOTED



DESCRIPTION:

PULL BOX W/SPRING-ASSIST COVER

DIMENSIONS ARE IN INCHES
TOLERANCES:
FRACTIONAL: ± 1/8"
ANGULAR: ± 2°

CONTACT INFORMATION:
EMAIL: INFO@CONCASTINC.COM
PHONE: (507) 732-4095
FAX: (507) 732-4094

SHEET 1 OF 1

PART NUMBER:

PB4-56-56-52-SA