

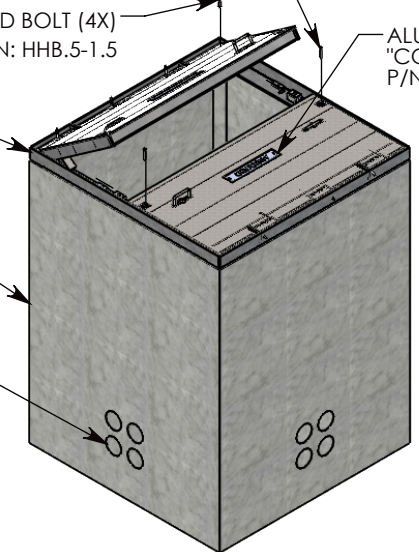
3/8-16 UNC X 2.5" LG HEX HD BOLT (4X)
P/N: HHB.38-2.5
1/2-13 UNC X 1.5" LG HEX HD BOLT (4X)
P/N: HHB.5-1.5

ALUM ID PLATE "CONCAST"
P/N: LTR-ID

BOLT-DOWN STEEL GALV. FRAME & SPA COVER
~529 LBS
P/N: 56-56-SPA

CONCRETE PULL BOX
~5597 LBS
P/N: PB4-56-56-72

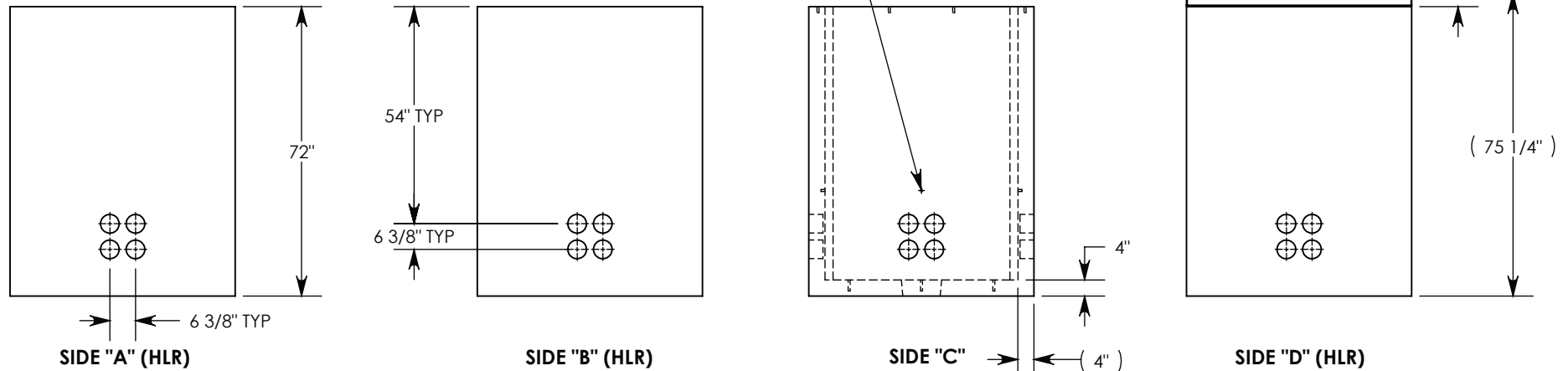
CON-DUCT TERMINATIONS ARE CAST INTO BOX SIDEWALLS, 4 PER SIDE (4X) THEY FIT UP TO 4" PVC PIPE. TO ACCESS THE HOLES, BREAK THE PLASTIC SEAL



Ø 1/2"-13 UNC INSERT (4X) FOR PULLING EYES. LOCATED ON BOX INTERIOR (1X PER SIDE)

LIFTING LUG SHOWN EXTENDED

COVER SHOWN IN THIS VIEW



NOTE 1: FOR PVC SIZES SMALLER THAN 4", USE CONCAST RC41 (REDUCING COUPLER)

NOTE 2: FOR ADDED SECURITY, PENTA HEAD (P/N: PTA.38-2.5) OR SURELOCK BOLTS (P/N: SL.38-2.5) CAN BE ADDED

AASHTO H-20 RATED – 32,000 LB. SINGLE AXLE LOAD

DRAWN BY: ROBIN FLINT		 1010 NORTH STAR DRIVE P.O. BOX 69 ZUMBROTA, MN 55992-0069	DESCRIPTION:	
CREATED DATE: 3/26/2010	REVISION LEVEL: B		PULL BOX W/SPRING ASSIST GALV STL COVER	
SAVED DATE: 10/11/2019	SAVED BY: scallahan		<small>DIMENSIONS ARE IN INCHES TOLERANCES: FRACTIONAL: ± 1/8" ANGULAR: ± 2°</small>	<small>CONTACT INFORMATION: EMAIL: INFO@CONCASTINC.COM PHONE: (507) 732-4095 FAX: (507) 732-4094</small>
WEIGHT: 6127 LBS.	MATERIAL: NOTED	PART NUMBER: PB4-56-56-72-SPA		