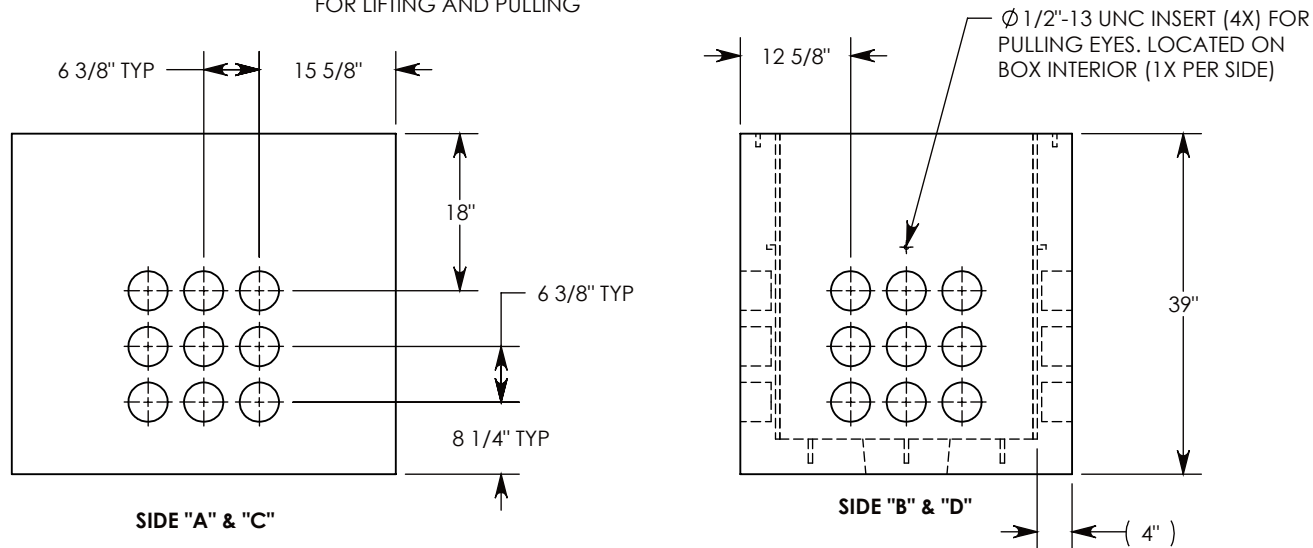
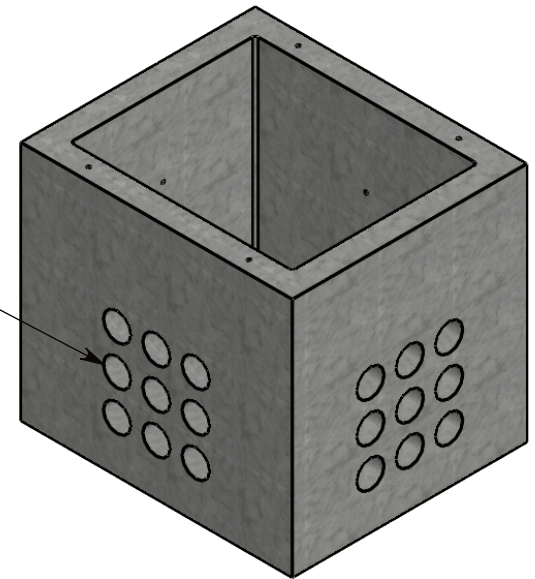


CON-DUCT TERMINATORS ARE CAST INTO BOX SIDEWALLS. 9 PER SIDE (4X) THEY FIT UP TO 4" PVC PIPE. TO ACCESS THE HOLES, BREAK THE PLASTIC SEAL.



DRAWN BY: MALACHI MLINAR

CREATED DATE: 7/20/2022 **REVISION LEVEL: 0**

SAVED DATE: 7/20/2022 **SAVED BY: mmlinar**

WEIGHT: 2196 LBS. **MATERIAL: CONCRETE**

 **CONCAST**
 1010 NORTH STAR DRIVE
 P.O. BOX 69
 ZUMBROTA, MN 55992-0069

DESCRIPTION:
CONCRETE PULL BOX

DIMENSIONS ARE IN INCHES
 TOLERANCES:
 FRACTIONAL: ± 1/8"
 ANGULAR: ± 2°

CONTACT INFORMATION:
 EMAIL: INFO@CONCASTINC.COM
 PHONE: (507) 732-4095
 FAX: (507) 732-4094

SHEET 1 OF 1

PART NUMBER:
PB9-38-44-39-S88