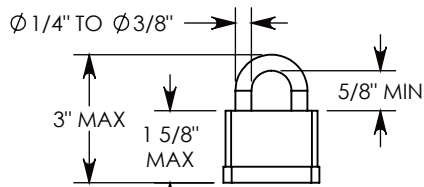
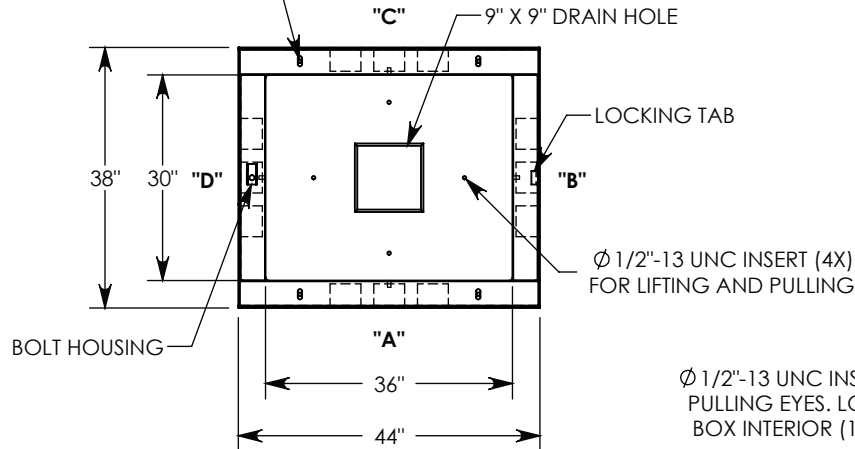


3/8"-16 UNC X 2-1/2" LG SURELOCK SS BOLT
P/N: SL.38-2.5



PADLOCK SPECS

Ø 1/2"-13 UNC INSERT (4X)
FOR LIFTING AND BOLT DOWN



1/2-13 UNC X 1.5" LG HEX HD BOLT (4X)
P/N: HHB.5-1.5

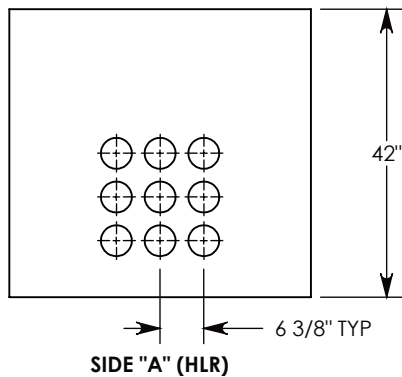
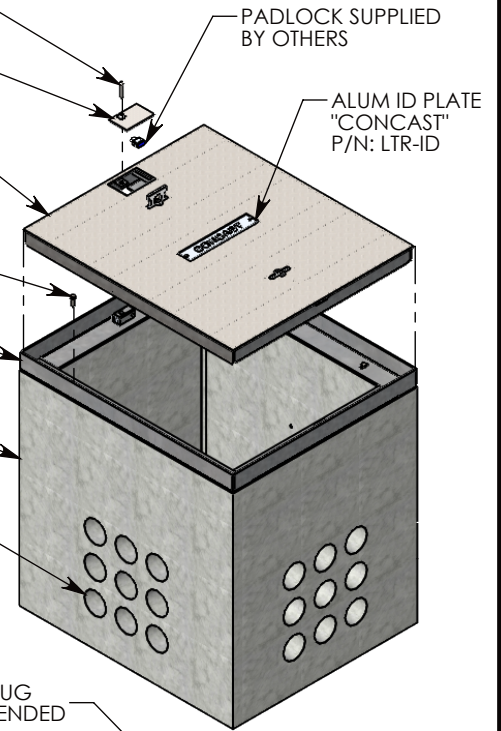
BOLT-DOWN GALV. STEEL FRAME
~75 LBS
P/N: 38-44-FRMSLP

CONCRETE PULL BOX
~2196 LBS
P/N: PB9-38-44-42

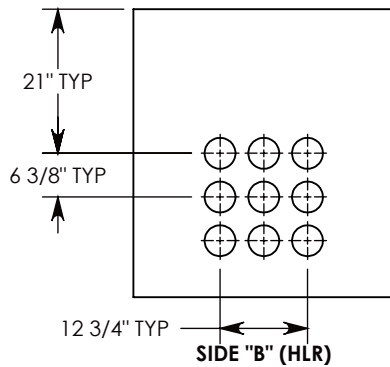
CON-DUCT TERMINATIONS ARE CAST INTO BOX SIDEWALLS. 9 PER SIDE (4X) THEY FIT UP TO 4" PVC PIPE. TO ACCESS THE HOLES, BREAK THE PLASTIC SEAL

Ø 1/2"-13 UNC INSERT (4X) FOR PULLING EYES. LOCATED ON BOX INTERIOR (1X PER SIDE)

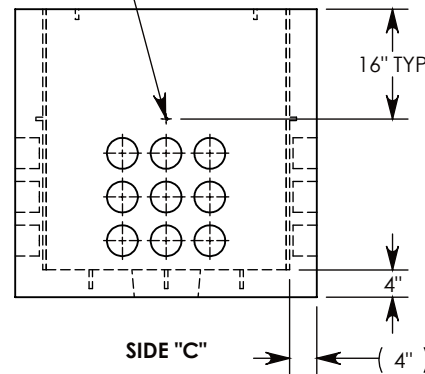
LIFTING LUG SHOWN EXTENDED
COVER SHOWN IN THIS VIEW



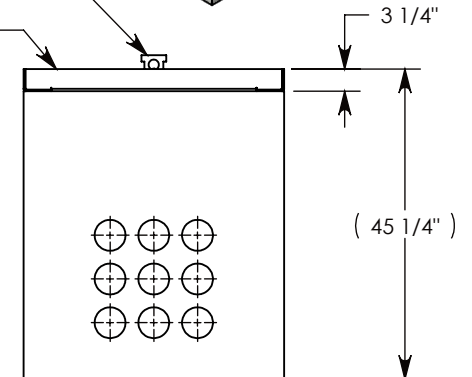
SIDE "A" (HLR)



SIDE "B" (HLR)



SIDE "C"



SIDE "D" (HLR)

NOTE 1: FOR PVC SIZES SMALLER THAN 4", USE CONCAST RC41 (REDUCING COUPLER)

AASHTO H-20 RATED - 32,000 LB. SINGLE AXLE LOAD

DRAWN BY: MALACHI MLINAR	
DATE: 7/31/2019	REVISION LEVEL: B
WEIGHT: 2486 LBS.	MATERIAL: NOTED



1010 NORTH STAR DRIVE
P.O. BOX 69
ZUMBROTA, MN 55992-0069

DESCRIPTION: CONCRETE PULL BOX W/RSG COVER		
DIMENSIONS ARE IN INCHES TOLERANCES: FRACTIONAL: ± 1/8" ANGULAR: ± 2°	CONTACT INFORMATION: EMAIL: INFO@CONCASTINC.COM PHONE: (507) 732-4095 FAX: (507) 732-4094	SHEET 1 OF 1
PART NUMBER: PB9-38-44-42-RSGSLP		