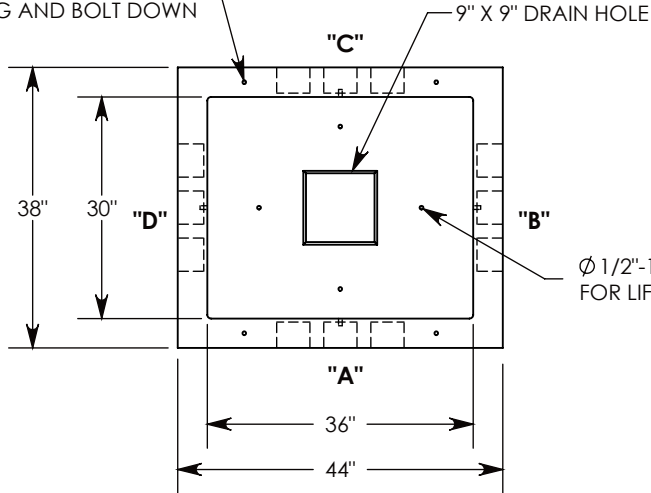


Ø 1/2"-13 UNC INSERTS (4X)  
FOR LIFTING AND BOLT DOWN

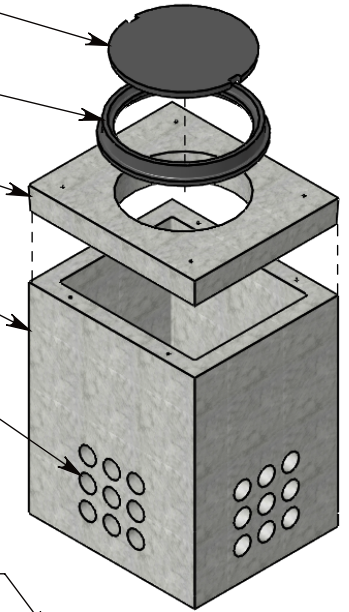


Ø 1/2"-13 UNC INSERTS (4X)  
FOR LIFTING AND PULLING

- CAST IRON MANHOLE LID  
~239 LBS  
P/N: CI-32-26-CVR
- 34 INCH CAST IRON FRAME  
~150 LBS  
P/N: CI-32-26-FRM
- H-20 HEAVY TRAFFIC RATED  
CONCRETE MANHOLE COVER  
~578 LBS  
P/N: 38-44-MH

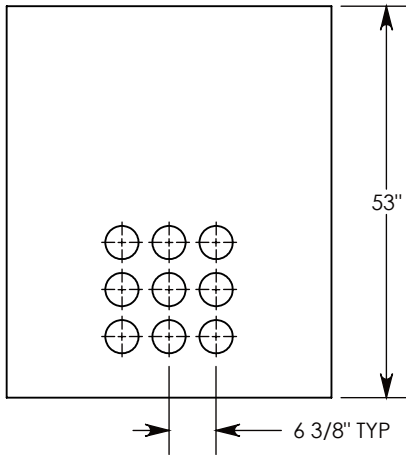
CONCRETE PULL BOX  
~2729 LBS  
P/N: PB9-38-44-53

CON-DUCT TERMINATIONS ARE CAST  
INTO BOX SIDEWALLS. 9 PER SIDE (4X)  
THEY FIT UP TO 4" PVC PIPE. TO ACCESS  
THE HOLES, BREAK THE PLASTIC SEAL

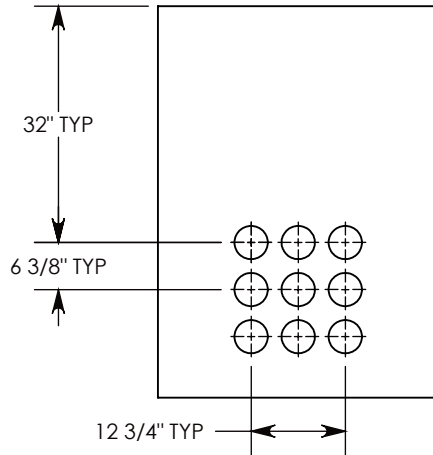


COVER SHOWN IN THIS VIEW

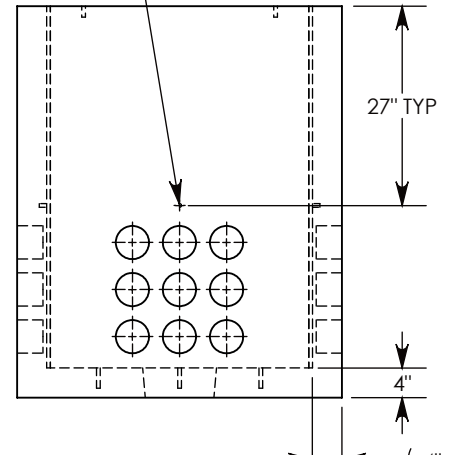
Ø 1/2"-13 UNC INSERT (4X) FOR  
PULLING EYES. LOCATED ON  
BOX INTERIOR (1X PER SIDE)



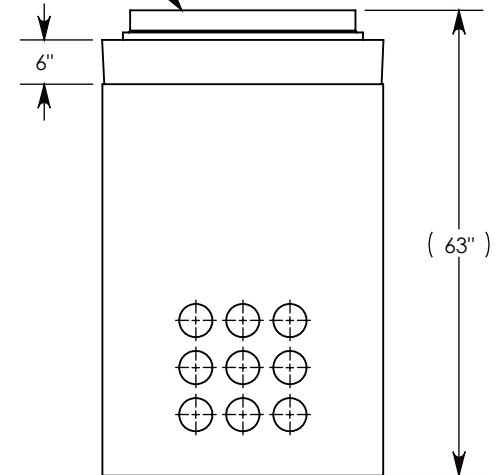
SIDE "A" (HLR)



SIDE "B" (HLR)



SIDE "C"



SIDE "D" (HLR)

**NOTE 1:** FOR PVC SIZES SMALLER THAN 4", USE CONCAST RC41 (REDUCING COUPLER).

**DRAWN BY:** ROBIN FLINT

**DATE:** 5/16/2018

**REVISION LEVEL:** B

**WEIGHT:**

**3696 LBS. W/COVER**

**MATERIAL:**

**NOTED**



1010 NORTH STAR DRIVE  
P.O. BOX 69  
ZUMBROTA, MN 55992-0069

**DESCRIPTION:**

**CONCRETE PULL BOX W/MANHOLE**

DIMENSIONS ARE IN INCHES  
TOLERANCES:  
FRACTIONAL: ± 1/8"  
ANGULAR: ± 2°

CONTACT INFORMATION:  
EMAIL: INFO@CONCASTINC.COM  
PHONE: (507) 732-4095  
FAX: (507) 732-4094

SHEET 1 OF 1

**PART NUMBER:**

**PB9-38-44-53-MH**