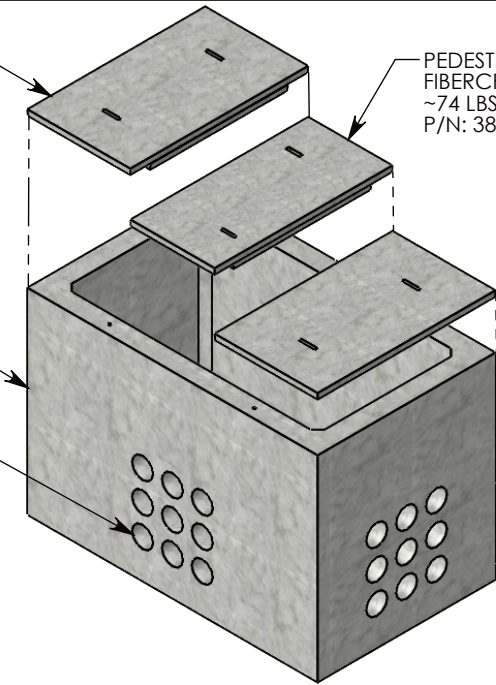


PEDESTRIAN RATED
FIBERCRETE COVER (2X)
~75 LBS EACH
P/N: 38-22-FC

PEDESTRIAN RATED
FIBERCRETE COVER
~74 LBS
P/N: 38-18-FC

CONCRETE PULL BOX
~2881 LBS
P/N: PB9-38-62-42

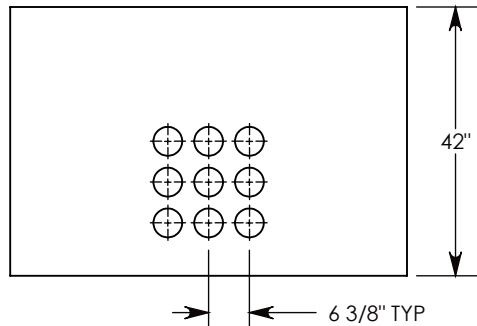
CON-DUCT TERMINATIONS ARE CAST INTO BOX SIDEWALLS. 9 PER SIDE (4X) THEY FIT UP TO 4" PVC PIPE. TO ACCESS THE HOLES, BREAK THE PLASTIC SEAL.



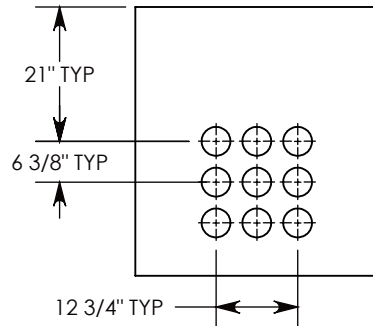
Ø 1/2"-13 UNC INSERT (4X) FOR PULLING EYES. LOCATED ON BOX INTERIOR (1X PER SIDE)

COVER SHOWN IN THIS VIEW

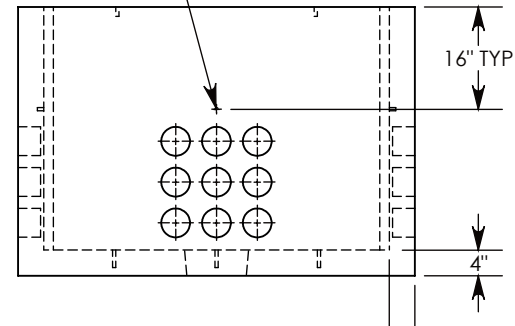
1 1/4" COVER



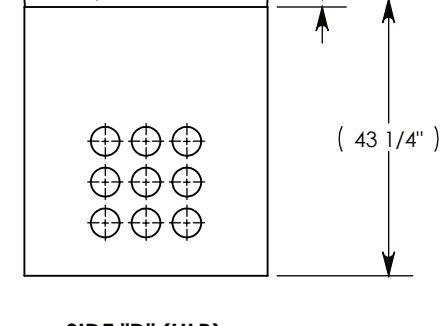
SIDE "A" (HLR)



SIDE "B" (HLR)



SIDE "C"



SIDE "D" (HLR)

NOTE 1: FOR PVC SIZES SMALLER THAN 4", USE CONCAST RC41 (REDUCING COUPLER).

PEDESTRIAN RATED - 200 LB. PER SQ. FOOT

DRAWN BY: ROBIN FLINT

DATE: 5/25/2018

REVISION LEVEL: B

WEIGHT:

MATERIAL:

3106 LBS. W/COVERS

NOTED



DESCRIPTION:

PULL BOX W/FIBERCRETE COVERS

DIMENSIONS ARE IN INCHES
TOLERANCES:
FRACTIONAL: ± 1/8"
ANGULAR: ± 2°

CONTACT INFORMATION:
EMAIL: INFO@CONCASTINC.COM
PHONE: (507) 732-4095
FAX: (507) 732-4094

SHEET 1 OF 1

PART NUMBER:

PB9-38-62-42-FC