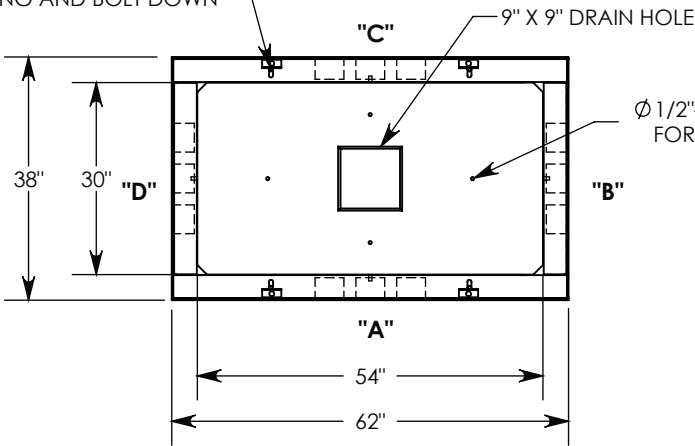


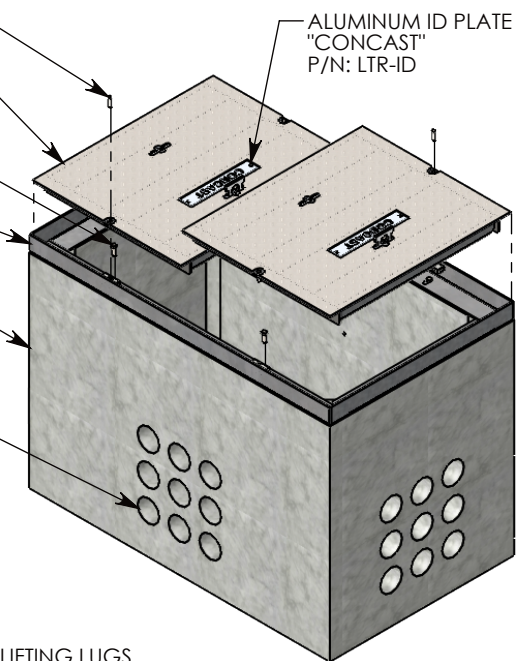
Ø 1/2"-13 UNC INSERTS (4X)
 FOR LIFTING AND BOLT DOWN



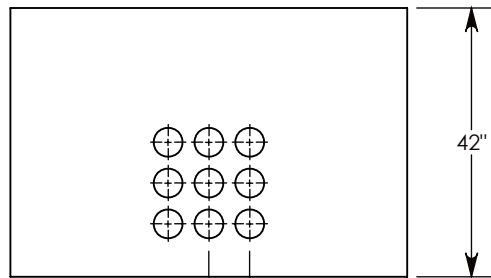
Ø 1/2"-13 UNC INSERTS (4X)
 FOR LIFTING & PULLING

- 3/8-16 UNC X 1.5" LG HEX HD BOLT (4X)
 P/N: HHB38-1.5
- H-20 HEAVY TRAFFIC RATED
 GALV. STEEL COVER (2X)
 ~156 LBS EACH
 P/N: 38-31-RSG
- 1/2-13 UNC X 1.5" LG HEX HD BOLT (4X)
 P/N: HHB.5-1.5
- BOLT DOWN GALV. STEEL FRAME
 ~93 LBS
 P/N: 38-62-FRM
- CONCRETE PULL BOX
 ~2881 LBS
 P/N: PB9-38-62-42

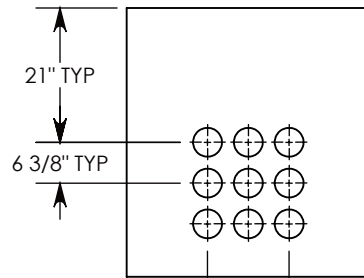
CON-DUCT TERMINATIONS ARE CAST
 INTO BOX SIDEWALLS. 9 PER SIDE (4X)
 THEY FIT UP TO 4" PVC PIPE. TO ACCESS
 THE HOLES, BREAK THE PLASTIC SEAL.



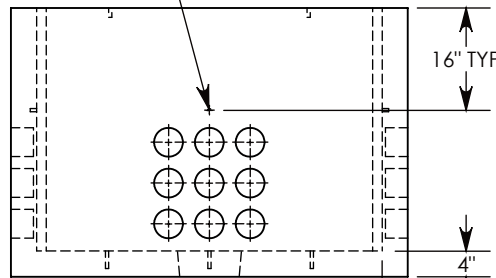
Ø 1/2"-13 UNC INSERT (4X) FOR
 PULLING EYES. LOCATED ON
 BOX INTERIOR (1X PER SIDE)



SIDE "A" (HLR)



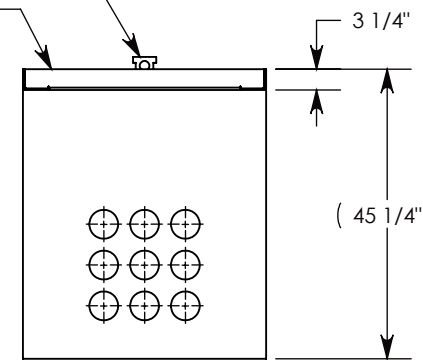
SIDE "B" (HLR)



SIDE "C"

LIFTING LUGS
 SHOWN EXTENDED

COVER SHOWN IN THIS VIEW



SIDE "D" (HLR)

NOTE 1: FOR PVC SIZES SMALLER THAN 4", USE CONCAST RC41 (REDUCING COUPLER)

NOTE 2: FOR ADDED SECURITY, PENTA HEAD (P/N: PTA.38-1.5) OR SURELOCK BOLTS (P/N SL.38-1.25) CAN BE ADDED

AASHTO H-20 RATED - 32,000 LB. SINGLE AXLE LOAD

DRAWN BY: ROBIN FLINT

DATE: 3/11/2019

REVISION LEVEL: B

WEIGHT:

3268 LBS. W/COVER

MATERIAL:

NOTED



DESCRIPTION:

CONCRETE PULL BOX W/RSG COVERS

DIMENSIONS ARE IN INCHES
 TOLERANCES:
 FRACTIONAL: ± 1/8"
 ANGULAR: ± 2°

CONTACT INFORMATION:
 EMAIL: INFO@CONCASTINC.COM
 PHONE: (507) 732-4095
 FAX: (507) 732-4094

SHEET 1 OF 1

PART NUMBER:

PB9-38-62-42-RSG