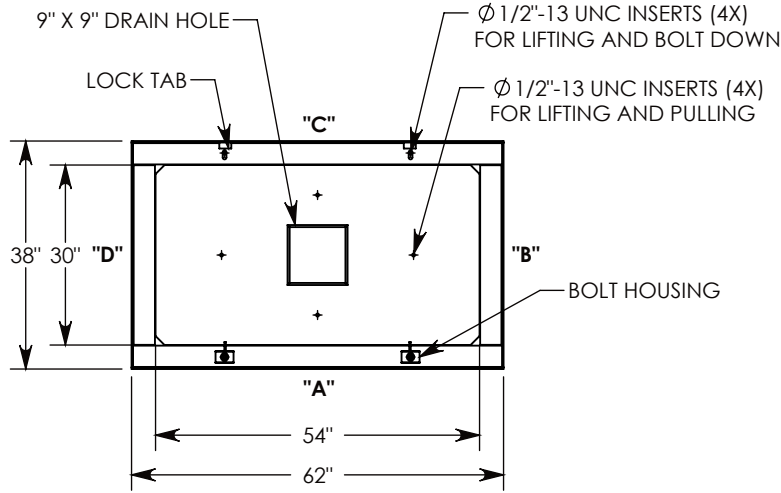
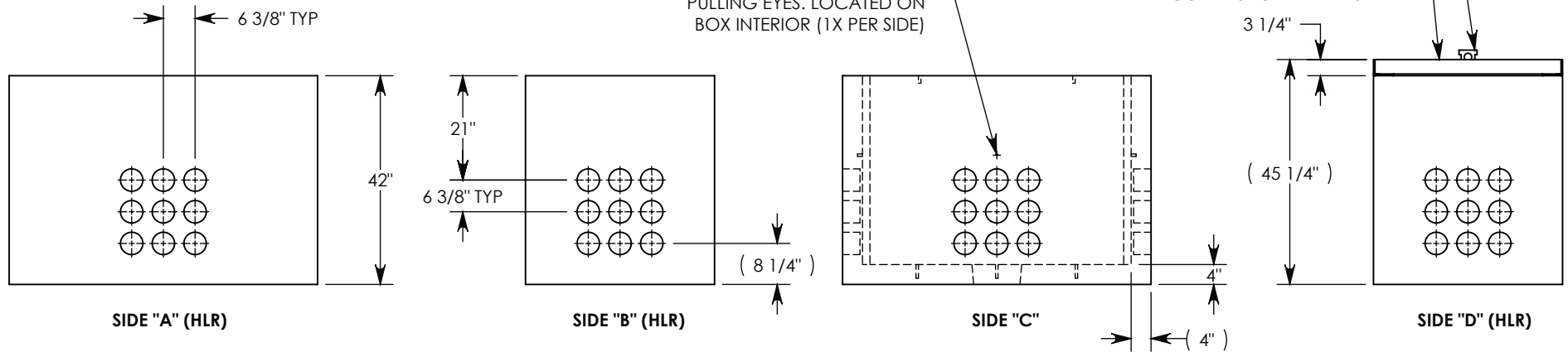
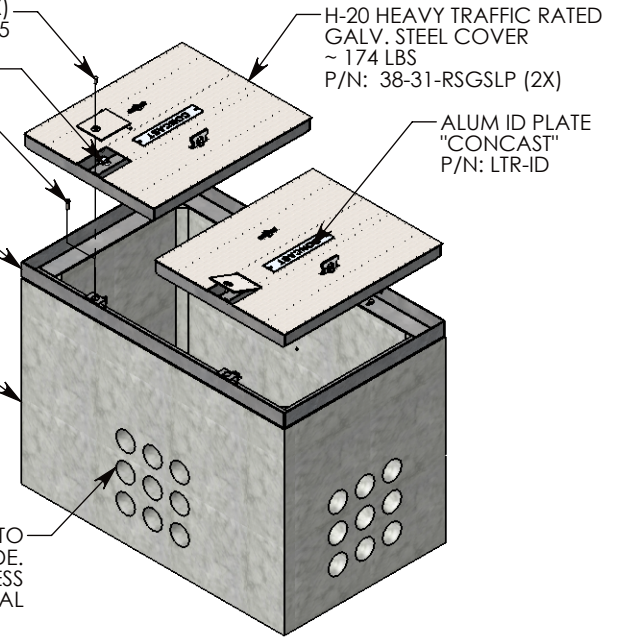


- 3/8"-16 UNC X 1-1/4" LG SURELOCK SS BOLT (2X)
P/N: SL-.38-1.25
- PADLOCK SUPPLIED BY OTHERS
- 1/2"-13 UNC X 1.5" LG HEX HD BOLT (4X)
P/N: HHB.5-1.5
- H-20 HEAVY TRAFFIC RATED GALV. STEEL COVER
~ 174 LBS
P/N: 38-31-RSGSLP (2X)
- ALUM ID PLATE "CONCAST"
P/N: LTR-ID



- BOLT DOWN GALV. STEEL FRAME
~93 LBS.
P/N: 38-62-FRMSLP
- CONCRETE PULL BOX
~2881 LBS
P/N: PB9-38-62-42
- CON-DUCT TERMINATIONS ARE CAST INTO BOX SIDEWALLS. SETS OF 9 ON EACH SIDE. THEY FIT UP TO 4" PVC PIPE. TO ACCESS THE HOLES, BREAK THE PLASTIC SEAL



NOTE 1: FOR PVC SIZES SMALLER THAN 4", USE CONCAST RC41 (REDUCING COUPLER)

AASHTO H-20 RATED – 32,000 LB. SINGLE AXLE LOAD

DRAWN BY: **JESSE GUTTING**

CREATED DATE: **8/19/2020** REVISION LEVEL: **0**

SAVED DATE: **8/20/2020** SAVED BY: **jgutting**

WEIGHT: **3323 LBS.** MATERIAL: **NOTED**

1010 NORTH STAR DRIVE
P.O. BOX 69
ZUMBROTA, MN 55992-0069

DESCRIPTION:
CONCRETE PULL BOX W/RSGSLP COVERS

DIMENSIONS ARE IN INCHES
TOLERANCES:
FRACTIONAL: $\pm 1/8"$
ANGULAR: $\pm 2^\circ$

CONTACT INFORMATION:
EMAIL: INFO@CONCASTINC.COM
PHONE: (507) 732-4095
FAX: (507) 732-4094

SHEET 1 OF 1

PART NUMBER:
PB9-38-62-42-RSGSLP