

BOLT-DOWN ALUMINUM FRAME & HA COVER
~190 LBS
P/N: 40-86-HA

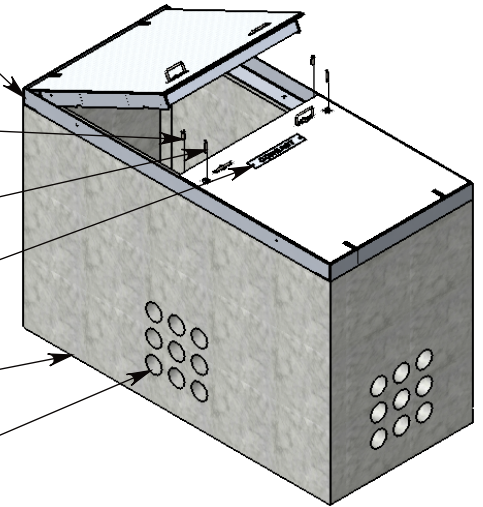
1/2-13 UNC X 1.5" LG HEX HD BOLT (6X)
P/N: HHB.5-1.5

3/8-16 UNC X 2.5" LG HEX HD BOLT (2X)
P/N: HHB.38-2.5

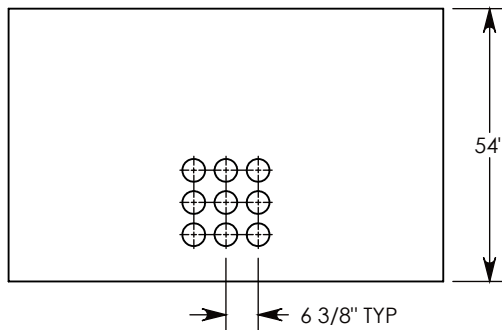
ALUM ID PLATE
"CONCAST"
P/N: LTR-ID

CONCRETE PULL BOX
~5819 LBS
P/N: PB9-40-86-54

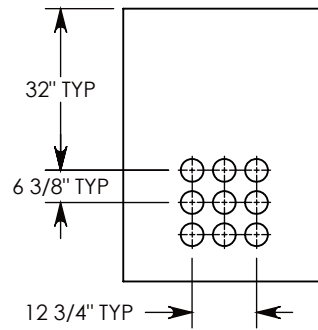
CON-DUCT TERMINATIONS ARE CAST INTO BOX SIDEWALLS. 9 PER SIDE THEY FIT UP TO 4" PVC PIPE. TO ACCESS THE HOLES, BREAK THE PLASTIC SEAL.



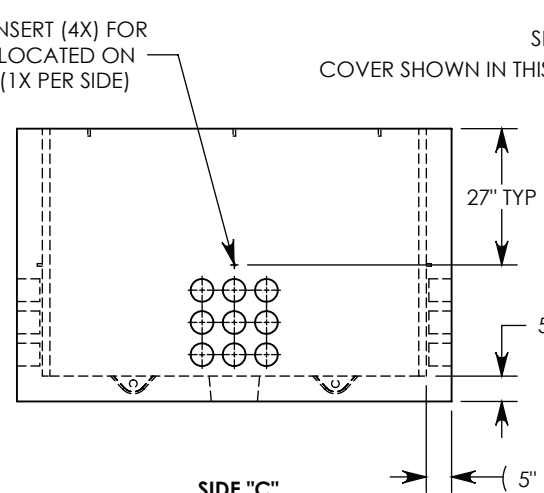
Ø 1/2"-13 UNC INSERT (4X) FOR PULLING EYES. LOCATED ON BOX INTERIOR (1X PER SIDE)



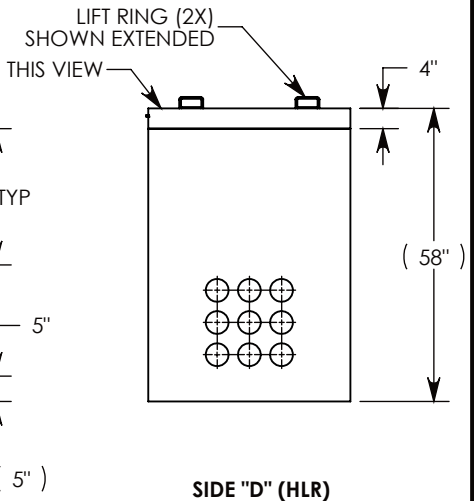
SIDE "A" (HLR)



SIDE "B" (HLR)



SIDE "C" (HLR)



SIDE "D" (HLR)

NOTE 1: FOR ADDED SECURITY, PENTA HEAD (P/N: PTA.38-2.5) OR SURELOCK BOLTS (P/N: SL.38-2.5) CAN BE ADDED.

NOTE 2: FOR PVC SIZES SMALLER THAN 4", USE CONCAST RC41 (REDUCING COUPLER).

PEDESTRIAN RATED - 200 LB. PER SQ. FOOT

DRAWN BY: SAMUEL CALLAHAN

DATE: 5/30/2019

REVISION LEVEL: 0

WEIGHT:

6010 LBS.

MATERIAL:

NOTED



DESCRIPTION:

CONCRETE PULL BOX W/ HA COVER

DIMENSIONS ARE IN INCHES
TOLERANCES:
FRACTIONAL: ± 1/8"
ANGULAR: ± 2°

CONTACT INFORMATION:
EMAIL: INFO@CONCASTINC.COM
PHONE: (507) 732-4095
FAX: (507) 732-4094

SHEET 1 OF 1

PART NUMBER:

PB9-40-86-54-HA