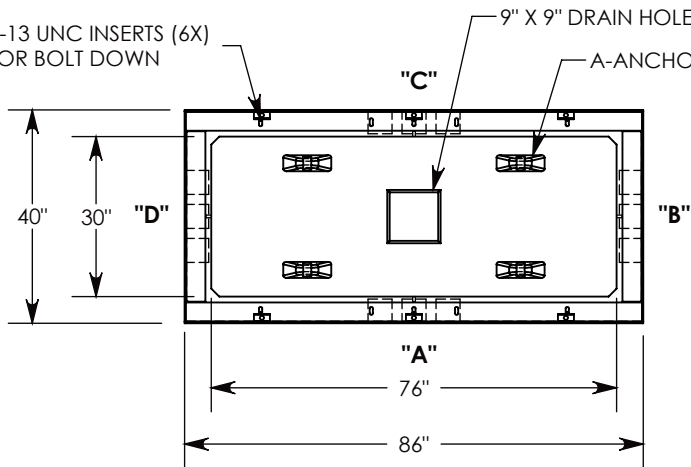


Ø 1/2"-13 UNC INSERTS (6X)
 FOR BOLT DOWN



3/8-16 UNC X 1.5" LG HEX HD BOLT (6X)
 P/N: HHB.38-1.5

H-20 HEAVY TRAFFIC RATED
 GALV. STEEL COVER (3X)
 ~149 LBS
 P/N: 40-29-RSG

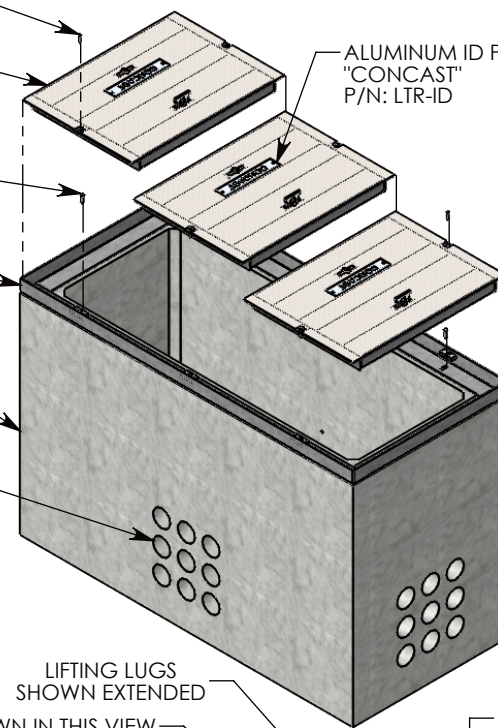
ALUMINUM ID PLATE (3X)
 "CONCAST"
 P/N: LTR-ID

1/2-13 UNC X 1.5" LG HEX HD BOLT (6X)
 P/N: HHB.5-1.5

BOLT DOWN GALV. STEEL FRAME
 ~119 LBS
 P/N: 40-86-FRM

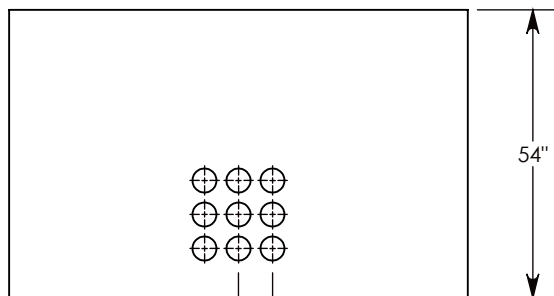
CONCRETE PULL BOX
 ~5819 LBS
 P/N: PB9-40-86-54

CON-DUCT TERMINATIONS ARE CAST
 INTO BOX SIDEWALLS. 9 PER SIDE (4X)
 THEY FIT UP TO 4" PVC PIPE. TO ACCESS
 THE HOLES, BREAK THE PLASTIC SEAL.

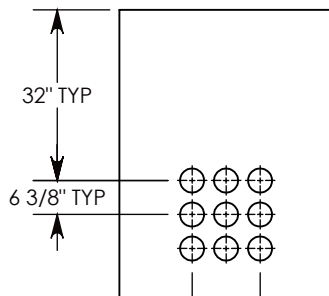


Ø 1/2"-13 UNC INSERT (4X) FOR
 PULLING EYES. LOCATED ON
 BOX INTERIOR (1X PER SIDE)

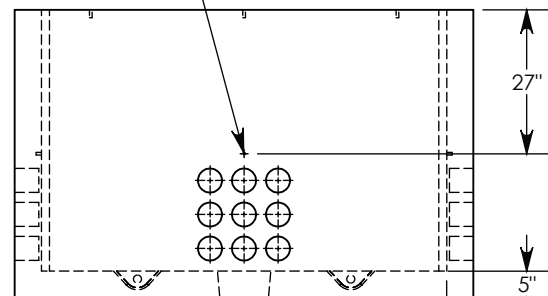
LIFTING LUGS
 SHOWN EXTENDED
 COVER SHOWN IN THIS VIEW



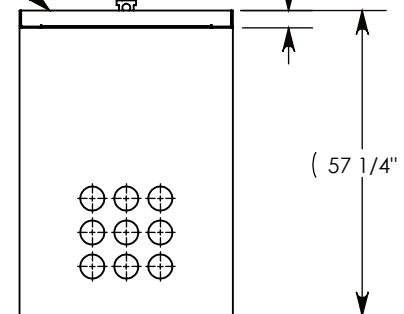
6 3/8" TYP
 SIDE "A" (HLR)



SIDE "B" (HLR)



SIDE "C"



SIDE "D" (HLR)

NOTE 1: FOR PVC SIZES SMALLER THAN 4", USE CONCAST RC41 (REDUCING COUPLER)

NOTE 2: FOR ADDED SECURITY, PENTA HEAD (P/N: PTA.38-1.5) OR SURELOCK BOLTS (P/N: SL.38-1.25) CAN BE ADDED

AASHTO H-20 RATED - 32,000 LB. SINGLE AXLE LOAD

DRAWN BY: ROBIN FLINT

DATE: 3/13/2019

REVISION LEVEL: B

WEIGHT:

6385 LBS. W/COVER

MATERIAL:

NOTED



1010 NORTH STAR DRIVE
 P.O. BOX 69
 ZUMBROTA, MN 55992-0069

DESCRIPTION:

CONCRETE PULL BOX W/RSG COVERS

DIMENSIONS ARE IN INCHES
 TOLERANCES:
 FRACTIONAL: ± 1/8"
 ANGULAR: ± 2°

CONTACT INFORMATION:
 EMAIL: INFO@CONCASTINC.COM
 PHONE: (507) 732-4095
 FAX: (507) 732-4094

SHEET 1 OF 1

PART NUMBER:

PB9-40-86-54-RSG