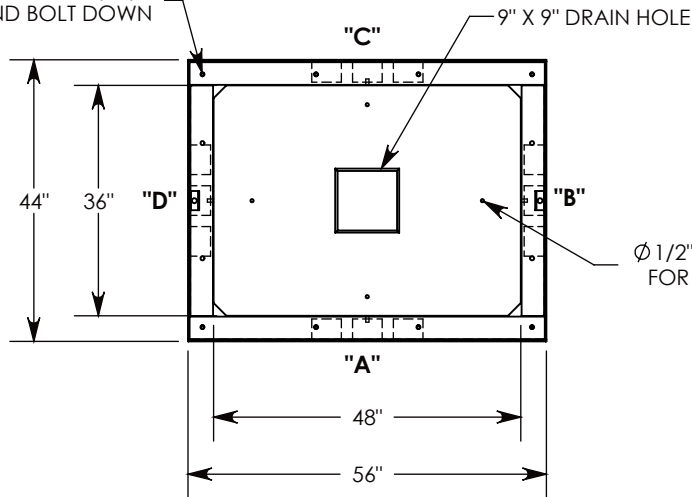


Ø 1/2"-13 UNC INSERTS (4X)  
 FOR LIFTING AND BOLT DOWN



3/8-16 UNC X 1.5" LG HEX HD BOLT  
 P/N: HHB.38-1.5 (2X)

H-20 HEAVY TRAFFIC RATED  
 GALVANIZED STEEL COVER  
 ~340 LBS  
 P/N: 44-56-RSG

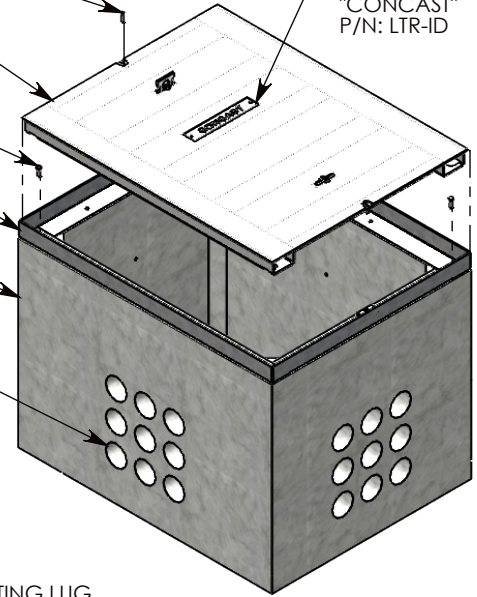
1/2-13 UNC X 1.5" LG HEX HD BOLT  
 P/N: HHB.5-1.5 (4X)

BOLT DOWN GALV. STEEL FRAME  
 ~92 LBS  
 P/N: 44-56-FRM

CONCRETE PULL BOX  
 ~2796 LBS  
 P/N: PB9-44-56-40

CON-DUCT TERMINATIONS ARE CAST  
 INTO BOX SIDEWALLS. 9 PER SIDE (4X)  
 THEY FIT UP TO 4" PVC PIPE. TO ACCESS  
 THE HOLES, BREAK THE PLASTIC SEAL

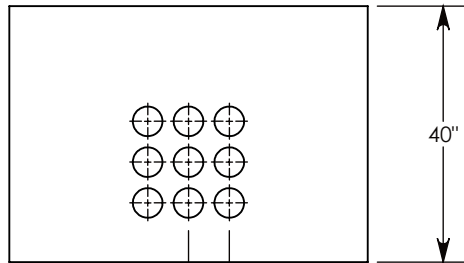
ALUM ID PLATE  
 "CONCAST"  
 P/N: LTR-ID



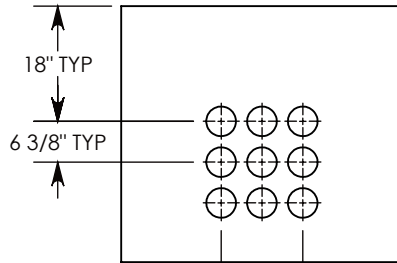
Ø 1/2"-13 UNC INSERT (4X) FOR  
 PULLING EYES. LOCATED ON  
 BOX INTERIOR (1X PER SIDE)

LIFTING LUG  
 SHOWN EXTENDED

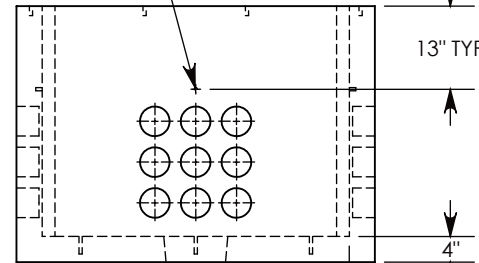
COVER SHOWN IN THIS VIEW



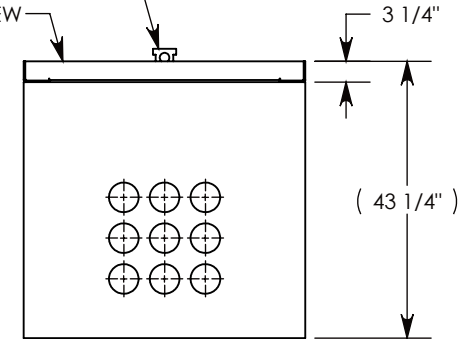
SIDE "A" (HLR)



SIDE "B" (HLR)



SIDE "C"



SIDE "D" (HLR)

**NOTE 1:** FOR PVC SIZES SMALLER THAN 4", USE CONCAST RC41 (REDUCING COUPLER)

**NOTE 2:** FOR ADDED SECURITY, PENTA HEAD (P/N: PTA.38-1.5) OR SURELOCK BOLTS (P/N: SL.38-1.25) CAN BE ADDED

AASHTO H-20 RATED - 32,000 LB. SINGLE AXLE LOAD

<b>DRAWN BY: ROBIN FLINT</b>		 1010 NORTH STAR DRIVE P.O. BOX 69 ZUMBROTA, MN 55992-0069	<b>DESCRIPTION:</b>	
<b>DATE: 3/14/2019</b>	<b>REVISION LEVEL: B</b>		<b>PULL BOX W/ GALV. STEEL COVER</b>	
<b>WEIGHT:</b>	<b>MATERIAL:</b>		DIMENSIONS ARE IN INCHES TOLERANCES: FRACTIONAL: ± 1/8" ANGULAR: ± 2°	CONTACT INFORMATION: EMAIL: INFO@CONCASTINC.COM PHONE: (507) 732-4095 FAX: (507) 732-4094
<b>3225 LBS. W/COVER</b>	<b>NOTED</b>	<b>PART NUMBER:</b>		<b>PB9-44-56-40-RSG</b>