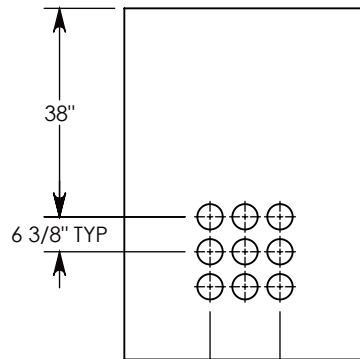
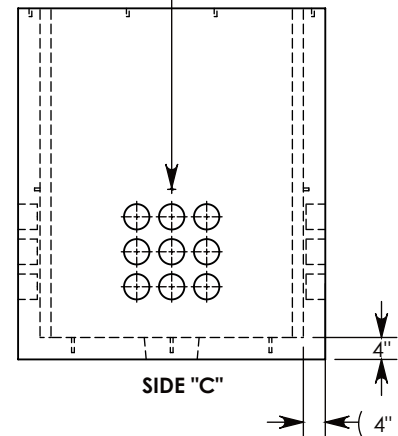


SIDE "A" (HLR)

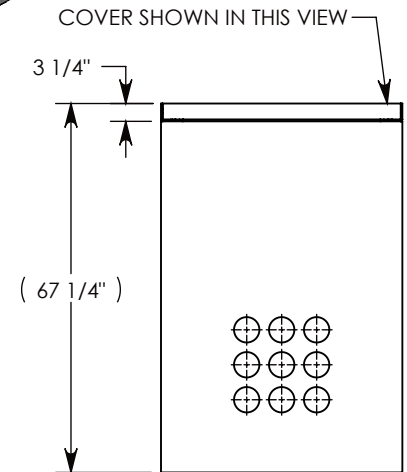


SIDE "B" (HLR)

$\phi 1/2$ "-13 UNC INSERT (4X) FOR PULLING EYES. LOCATED ON BOX INTERIOR (1X PER SIDE)



SIDE "C"



SIDE "D" (HLR)

**NOTE 1:** FOR PVC SIZES SMALLER THAN 4", USE CONCAST RC41 (REDUCING COUPLER).

**NOTE 2:** FOR ADDED SECURITY, PENTA HEAD (P/N: PTA.38-1.5) OR SURELOCK BOLTS (P/N: SL.38-1.25) CAN BE ADDED

AASHTO H-20 RATED - 32,000 LB. SINGLE AXLE LOAD

DRAWN BY: **JESSE GUTTING**

CREATED DATE: **7/1/2020** REVISION LEVEL: **0**

SAVED DATE: **10/22/2020** SAVED BY: **jgutting**

WEIGHT: **4836 LBS.** MATERIAL: **NOTED**

  
 1010 NORTH STAR DRIVE  
 P.O. BOX 69  
 ZUMBROTA, MN 55992-0069

DESCRIPTION:

**PULL BOX W/ POLYMER COVER**

DIMENSIONS ARE IN INCHES  
 TOLERANCES:  
 FRACTIONAL:  $\pm 1/8$ "  
 ANGULAR:  $\pm 2^\circ$

CONTACT INFORMATION:  
 EMAIL: [INFO@CONCASTINC.COM](mailto:INFO@CONCASTINC.COM)  
 PHONE: (507) 732-4095  
 FAX: (507) 732-4094

SHEET 1 OF 1

PART NUMBER:

**PB9-44-56-64-HTP**